



Adventurer™ Pro

Analytical and Precision Balances



The Ohaus Adventurer™ Pro – The Most Complete Balance in Its Class!

Since its introduction, the Ohaus Adventure™ Pro has established itself as the industry's most versatile balance. It counts, it sums, it holds and it delivers traceable results. Now, we're taking versatility to the next level by expanding the Adventurer Pro line to include a full range of Analytical and High Precision models. No other balance in its class offers all these features in a compact design:

- **Easy Access, Frameless Draftshield with Removable Doors** – All doors, including the front and back glass panels, disassemble in seconds, and together with a stainless steel bottom, make it fast and easy to clean.
- **SmarText™ Software Guides Users Through Balance Use** – SmarText™ is Ohaus' easy to use balance software that utilizes text prompts to guide users through application use and balance setup.
- **QuadraStance™ Design Provides Superior Footprint Stability** – To enhance weighing stability, QuadraStance incorporates four feet to provide superior footprint stability on any surface.
- **Flexibility of Available Options** – Ensure weighing accuracy with InCal™ internal calibration. A factory installed USB or second RS232 interface allows connection to multiple peripherals.

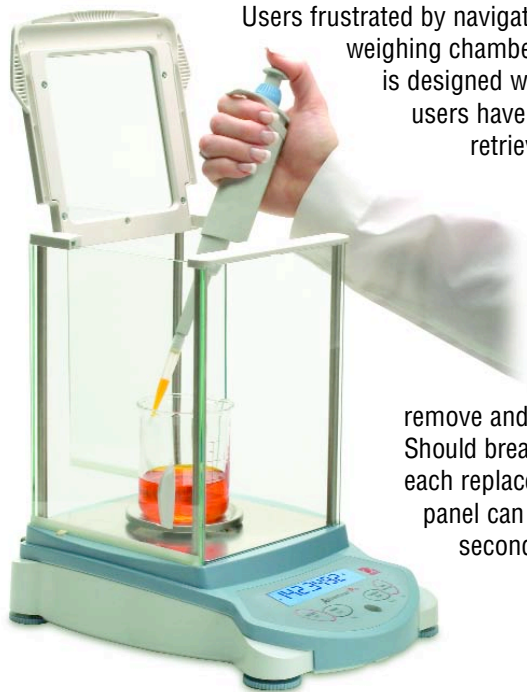
Adventurer™ Pro Balances

Frameless Draftshield With Removable Doors Provides Convenient Access

Users frustrated by navigating tight spaces will welcome the easy-access weighing chamber of the Adventurer Pro. The draftshield is designed without the need of top rails, so users have unobstructed entry to place or retrieve materials to be weighed.

With such unobstructed entry, the chance for accidental spillage is reduced helping to eliminate waste.

With contamination being a concern in today's work environment, all doors, including the front and back glass panels are simple to remove and replace for fast and easy cleaning. Should breakage occur, within 3 easy steps, each replacement door and panel can be installed in seconds.



SmarText™ Software Brings Man and Machine Together

SmarText™ is Ohaus' easy to use balance software that utilizes text prompts to guide users through application use and balance setup. Delivered through a 2-line backlit LCD and clearly marked buttons, SmarText tells you what is going on and what you have to do next.

Utilizing the 2-line LCD, SmarText simultaneously displays weight and application specific information such as percent or count. For example, with one touch of the Function button, SmarText will display application reference information such as average piece weight (APW), while displaying a parts count.



QuadraStance™ Design for Superior Stability

QuadraStance™ incorporates four adjusting feet to provide superior footprint stability on any surface. QuadraStance helps prevent rocking and tipping, enhancing the weighing stability of the balance, and keeping the Adventurer Pro level and accurate.

Additionally, Adventurer Pro has been designed with an up-front level indicator eliminating the need to look behind the balance during the leveling process. A quick glance at the up-front level indicator helps to ensure that the balance is level prior to each use.



Added Flexibility of Available Options

The Adventurer Pro also now offers InCal™ internal calibration. InCal ensures weighing accuracy by allowing you to calibrate the balance prior to use without the need of external weights.

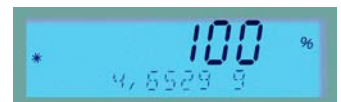


All Adventurer Pro models come with a built-in RS-232 interface, and for added functionality can be equipped with either a second RS-232 or USB interface, allowing connections to multiple peripherals. With full GLP/GMP data output, Adventurer Pro can meet traceability and compliance requirements.

Other Standard Features Include:

Multiple Application Modes Including:

- Animal Weighing Mode – This mode allows the user to weigh small animals and filters out animal movements to provide a stable weight indication
- Parts Counting with Optimization – This mode allows the user to count based on a calculated piece weight. With optimization, counting accuracy is improved through auto re-calculation of the piece weight
- Percentage Mode – This mode allows the user to display the weight of a sample as a percentage of a reference weight
- Checkweighing Mode – This mode allows the user to check the weight of a sample against a preset target
- Totalization Mode – This mode allows the user to sum a series of sample weights
- Display Hold Mode – This mode allows the user to hold the highest stable weight on the display until cleared



Selectable Environmental Settings

- Three filter modes and adjustable zero tracking are ideal for working in slow filling applications where sensitivity is a must. When working in harsh environments, user can adjust balance settings to compensate for vibrations and other disturbances.

Protective In-Use Cover

The in-use cover is replaceable and offers protection against dust and debris, minimizing the chance of damage to the display and keypad buttons.

Adventurer™ Pro Balances

Feature Rich: Adventurer Pro Is The Most Complete Balance In Its Class



Security
To prevent unwarranted movement or theft, an integrated security bracket

accommodates the accessory security device

Easy to Clean

Adventurer Pro's stainless steel platform and removable wind ring make it extremely easy to clean



Connectivity

Adventurer Pro comes with an included RS232 interface. A second RS232 or USB interface is also available as a factory installed option

AC and / or Battery Power

Some models offer portability and can operate on either the included AC adapter, or on 4 "AA" batteries. An Auto Shutoff feature helps conserve battery life



Easy to View Display

Adventurer Pro features a 2-line alphanumeric LCD with brilliant backlight. Portable models include a backlight auto-off feature to conserve battery life



Weigh-Below Hook

Adventurer Pro's integral weigh-below hook allows density determination or calculating the specific gravity of samples



Multiple Weighing Units

Adventurer Pro features multiple weighing units including a user-defined custom unit for use in unique weighing applications

Easy to Use Keypad

Four-button keypad with dedicated YES, NO, BACK and EXIT functions simplify menu navigation and balance set-up

General Specifications

Weighing Units*	Milligram, Gram, Kilogram, Ounce, Pound, Carat, Pennyweight, Ounce Troy, Grain, Newton, Hong Kong Tael, Singapore Tael, Taiwan Tael, Momme, Tical, Baht, Mesghal, Tola, Custom
Application Modes	Weighing, Animal /Dynamic Weighing, Parts Counting with Automatic Sample Recalibration, Percent Weighing, Checkweighing, Totalization, Display Hold
Tare Range	To capacity by subtraction
Operating Temperature Range	50° - 86°F / 10° - 30°C
Calibration	Digital with External Weight (non-"C" models) Digital with Internal Weight ("C" models with InCal option)
Display Type	2-Line Alphanumeric Backlit LCD Display
Display Size (in/cm)	4 x 1 / 10 x 2.5

* Milligram unit available on 0.1mg to 1mg models

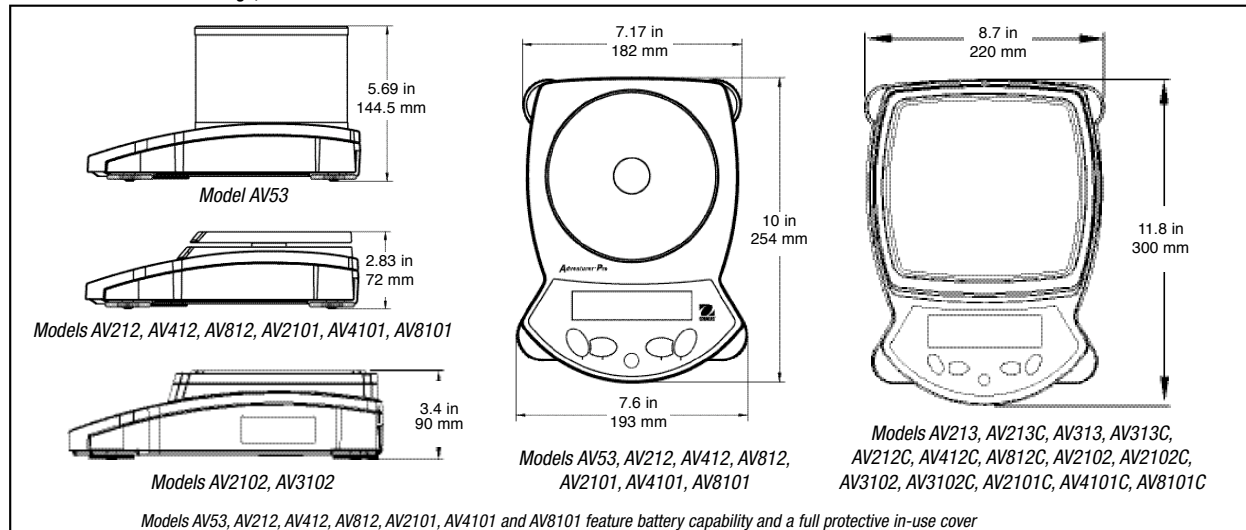
Kilogram and Pound units available on 0.01g to 0.1g models

Technical Specifications, Precision Balances

Capacity (g)	51	210	310	210	410	810	2100	3100	2100	4100	8100
Readability (g)	0.001			0.01			0.1			0.1	
Repeatability (Std. dev.) (g)	0.001			0.01			0.1			0.1	
Linearity (g)	± 0.002			± 0.02			± 0.2			± 0.2	
Stabilization Time (seconds)	2.5	3	1.5*	3			2*				
Power Requirements w/ InCal	Not Available	AC Adapter (Included)									
Power Requirements w/o InCal	AC Adapter (Included) or 4 AA Batteries (not Included)	AC Adapter (Included)	AC Adapter (Included) or 4 AA Batteries (Not Included)			AC Adapter (Included)	AC Adapter (Included) or 4 AA Batteries (Not Included)		AC Adapter (Included) or 4 AA Batteries (Not Included)		
Draftshield Type with Height Over Pan (in/cm)	Round: 2.75 / 7	Square: 4.5 / 11.5	None								
Pan Size with InCal (in/cm)	Not Available	4.7 / 12 dia.			6.6 x 7.1 / 16.8 x 18						
Pan Size without InCal (in/cm)	3.9 / 10 dia.	4.7 / 12 dia.			5.8 x 6.3 / 14.9 x 16.2		6.6 x 7.1 / 16.8 x 18		5.8 x 6.3 / 14.9 x 16.2		
Balance Dimensions w/ InCal W x H x D (in/cm)	Not Available	8.7 x 7.5 x 11.8 / 22 x 19 x 30			8.7 x 3.3 x 11.8 / 22 x 8.5 x 30						
Balance Dimensions w/o InCal W x H x D (in/cm)	7.6 x 5.7 x 10 / 19.3 x 14.5 x 25.4	8.7 x 7.5 x 11.8 / 22 x 19 x 30			7.6 x 2.8 x 10 / 19.3 x 7.2 x 25.4		8.7 x 3.3 x 11.8 / 22 x 8.5 x 30		7.6 x 2.8 x 10 / 19.3 x 7.2 x 25.4		
Shipping Dimensions w/ InCal W x H x D (in/cm)	Not Available	15.5 x 16 x 19.5 / 39 x 41 x 50			15.5 x 13 x 19.5 / 39 x 33 x 50						
Shipping Dimensions w/o InCal W x H x D (in/cm)	10.9 x 10.9 x 15.2 / 27.6 x 27.6 x 38.5	15.5 x 16 x 19.5 / 39 x 41 x 50			10.9 x 6.3 x 15.2 / 27.6 x 16 x 38.5		15.5 x 13 x 19.5 / 39 x 33 x 50		10.9 x 6.3 x 15.2 / 27.6 x 16 x 38.5		
Net Weight w/ InCal (lb/kg)	Not Available	8.2 / 3.7	5.7 / 2.6	7.5 / 3.4	6.9 / 3.2			7.7 / 3.5			
Net Weight w/o InCal (lb/kg)	3.1 / 1.4	7.3 / 3.3	2.6 / 1.2	3.3 / 1.5	6.1 / 2.8			3.5 / 1.6			
Shipping Wt w/ InCal (lb/kg)	Not Available	14.6 / 6.6	11.9 / 5.4	13.7 / 6.2	13.4 / 6.1			13.9 / 6.3			
Shipping Wt w/o InCal (lb/kg)	5.7 / 2.6	13.7 / 6.2	4.8 / 2.2	5.3 / 2.4	12.6 / 5.7			5.5 / 2.5			
Item Number w/ InCal Internal Calibration	Not Available	AV213C	AV313C	AV212C	AV412C	AV812C	AV2102C	AV3102C	AV2101C	AV4101C	AV8101C
Item Number w/o InCal Internal Calibration	AV53	AV213	AV313	AV212	AV412	AV812	AV2102	AV3102	AV2101	AV4101	AV8101

*Note: Models AV212C, AV2101C, AV4101C and AV8101C have a stabilization time of 3 seconds

Outline Dimensional Drawings, Precision Balances

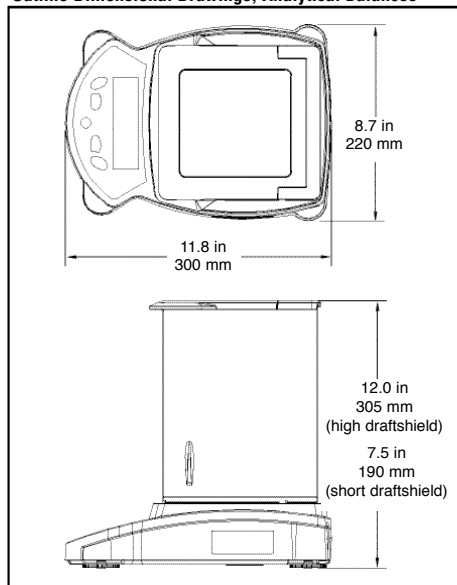


Adventurer™ Pro Balances

Technical Specifications, Analytical Balances

Capacity (g)	65	110	260
Readability (mg)	0.1		
Repeatability (Std. dev.) (mg)	0.1		
Linearity (mg)	± 0.2		± 0.3
Stabilization Time (seconds)	3		
Power Requirements	AC Adapter (Included)		
Draftshield Type w/ Height Over Pan (in/cm)	Square: 8.6 / 22		
Pan Size (in/cm)	3.5 / 9 dia.		
Balance Dimensions W x H x D (in/cm)	8.7 x 12 x 11.8 / 22 x 30.5 x 30		
Shipping Dimensions W x H x D (in/cm)	15.5 x 20.5 x 19 / 39 x 52.5 x 50		
Net Weight w/InCal (lb/kg)	9.6 / 4.4		
Net Weight w/o InCal (lb/kg)	8.7 / 4		
Shipping Weight w/ InCal (lb/kg)	16.2 / 7.4		
Shipping Weight w/o InCal (lb/kg)	15.3 / 7		
Model Number w/ InCal Internal Calibration	AV64C	AV114C	AV264C
Model Number w/o InCal Internal Calibration	AV64	AV114	AV264

Outline Dimensional Drawings, Analytical Balances



Other Standard Features and Equipment

Stability indicator, mechanical and software overload/underload protection, low battery indicator, AC adapter, user selectable span calibration points, auto tare, user selectable printing options, user selectable communications settings, user selectable data print options, user definable project and user ID's, software reset menu, software lockout menu

Approvals

CE, FCC, cUL_{US}, cCSA_{US}, NRTL

C Tick

CB Scheme

IP33 (without Power Adapter; with Pan put on)

IP20 (with Power Adapter, with Pan put on)

Options and Accessories

Options and Accessories	Ohaus Number
USB Interface	Contact Ohaus for Details
2nd RS232 Comm Port	Contact Ohaus for Details
Impact printer, 42 column	SF42
RS232 cable, SF42 printer	80500571
SF42 printer paper (5 pack)	12101511
SF42 printer ribbon	12101512
RS232 cable, IBM 9 pin	80500525
RS232 cable, IBM 25 pin	80500524
Density determination kit for 0.1/1mg balances	470007-010
Security device	76288-01
TAL Software WinWedge V3.0	SW12W
Calibration masses	Contact Ohaus for Full Offering
Sample Scoops	Contact Ohaus for Full Offering

Industry Leading Quality and Support

All Ohaus Adventurer™ Pro balances are manufactured under an ISO 9001:2000 Registered Quality Management System. Our rugged construction and stringent quality control have been hallmarks of all Ohaus products for nearly a century.

Ohaus Corporation

* 19A Chapin Road
P.O. Box 2033
Pine Brook, NJ 07058 USA

Tel: 800.672.7722
973.377.9000

Fax: 973.593.0359

www.ohaus.com

*With offices throughout Europe,
Asia, and Latin America*

* ISO 9001: 2000

Registered Quality Management System

LUS05-05 © Copyright Ohaus Corporation





Adventurer™ Pro

Analytical and Precision Balances



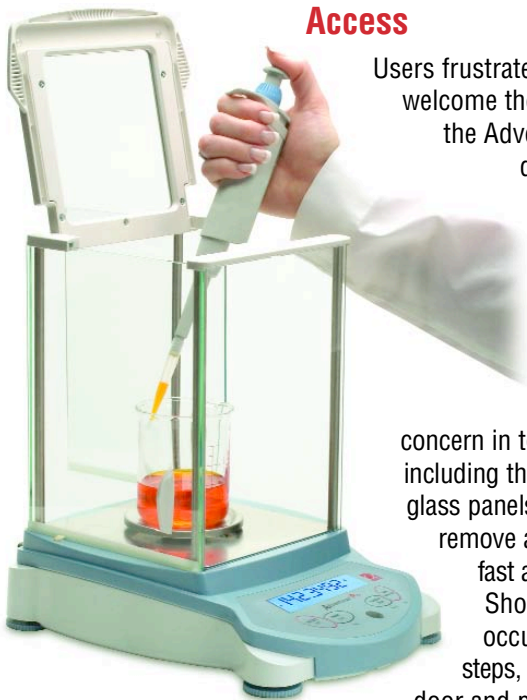
The Ohaus Adventurer™ Pro – The Most Complete Balance in Its Class!

The Ohaus Adventurer™ Pro is one of the industry's most versatile balances - it counts, it sums, it holds and it delivers traceable results. With a full range of Analytical and Precision models, no other balance in its class offers all these features in a compact design:

- **Easy Access, Frameless Draughtshield with Removable Doors** – All doors, including the front and back glass panels, disassemble in seconds, and together with a stainless steel base, make it fast and easy to clean.
- **SmarText™ Software Guides Users Through Balance Use** – SmarText™ is Ohaus' easy to use balance software that utilises text prompts to guide users through applications and balance setup.
- **QuadraStance™ Design Provides Superior Footprint Stability** – To enhance weighing stability, QuadraStance incorporates four feet to provide superior footprint stability on any surface.
- **Flexibility of Available Options** – Ensure weighing accuracy with InCal™ internal calibration. A factory installed USB or second RS232 interface allows connection to multiple peripherals.
- **EC Type Approved models available**

Adventurer™ Pro Balances

Frameless Draughtshield With Removable Doors Provides Convenient Access



Users frustrated by navigating tight spaces will welcome the easy-access weighing chamber of the Adventurer Pro. The draughtshield is designed without the need of top rails, so users have unobstructed entry to place or retrieve materials to be weighed. With such unobstructed entry, the chance for accidental spillage is reduced helping to eliminate waste.



With contamination being a concern in today's work environment, all doors, including the front and back glass panels are simple to remove and replace for fast and easy cleaning. Should breakage occur, within 3 easy steps, each replacement door and panel can be installed in seconds.



SmarText™ Software Brings Man and Machine Together

SmarText™ is Ohaus' easy to use balance software that utilises text prompts to guide users through applications use and balance setup. Delivered through a 2-line backlit LCD and clearly marked buttons, SmarText tells you what is going on and what you have to do next.



Utilising the 2-line LCD, SmarText simultaneously displays weight and application specific information such as percent or count. For example, with one touch of the Function button, SmarText will display application reference information such as average piece weight (APW), while displaying a parts count.



QuadraStance™ Design for Superior Stability

QuadraStance™ incorporates four adjusting feet to provide superior footprint stability on any surface. QuadraStance helps prevent rocking and tipping, enhancing the weighing stability of the balance, and keeping the Adventurer *Pro* level and accurate.

Additionally, Adventurer *Pro* has been designed with a front level indicator eliminating the need to look behind the balance during the leveling process. A quick glance at the level indicator helps to ensure that the balance is level prior to each use.



Added Flexibility of Available Options

The Adventurer *Pro* also offers InCal™ internal calibration. InCal ensures weighing accuracy by allowing you to calibrate the balance prior to use without the need of external weights.

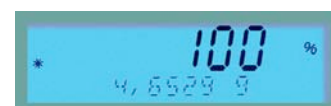
All Adventurer *Pro* models come with a built-in RS-232 interface, and for added functionality can be equipped with either a second RS-232 or USB interface, allowing connections to multiple peripherals. With full GLP/GMP data output, Adventurer *Pro* can meet traceability and compliance requirements.



Other Standard Features Include:

Multiple Application Modes Including:

- Dynamic Weighing Mode – Allows the user to weigh small animals and filters out animal movements to provide a stable weight indication
- Parts Counting with Optimisation – Allows the user to count based on a calculated piece weight. With optimisation, counting accuracy is improved through auto re-calculation of the piece weight
- Percentage Mode – Allows the user to display the weight of a sample as a percentage of a reference weight
- Checkweighing Mode – Allows the user to check the weight of a sample against a preset target
- Totalisation Mode – Allows allows the user to sum a series of sample weights
- Display Hold Mode – Allows the user to hold the highest stable weight on the display until cleared



Selectable Environmental Settings

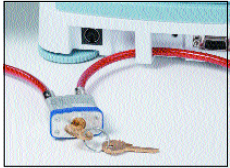
- Three filter modes and adjustable zero tracking are ideal for working in slow filling applications where sensitivity is a must. When working in harsh environments, the user can adjust balance settings to compensate for vibrations and other disturbances.

Protective In-Use Cover

The in-use cover is replaceable and offers protection against dust and debris, minimising the chance of damage to the display and keypad buttons.

Adventurer™ Pro Balances

Feature Rich: Adventurer Pro Is The Most Complete Balance In Its Class



Security

To prevent unwarranted movement or theft, an integrated security bracket

accommodates the security device accessory

Easy to Clean

Adventurer Pro's stainless steel platform and removable wind ring make it extremely easy to clean



Connectivity

Adventurer Pro comes with an RS232 interface. A second RS232 or USB interface is also available as a factory installed option

Easy to View Display

Adventurer Pro features a 2-line alphanumeric LCD with brilliant backlight. Portable models include a backlight auto-off feature to conserve battery life

AC and / or Battery Power

Some models offer portability and can operate on either the included AC adapter, or on 4 "AA" batteries. An Auto Shutoff feature helps conserve battery life



Weigh-Below Hook

Adventurer Pro's integral weigh-below hook allows density determination or calculating the specific gravity of samples



Multiple Weighing Units

Adventurer Pro features multiple weighing units including a user-defined custom unit for use in unique weighing applications

Easy to Use Keypad

Four-button keypad with dedicated YES, NO, BACK and EXIT functions simplify menu navigation and balance set-up

General Specifications

Weighing Units*	Milligram, Gram, Kilogram, Ounce, Pound, Carat, Pennyweight, Ounce Troy, Grain, Newton, Hong Kong Tael, Singapore Tael, Taiwan Tael, Momme, Tical, Baht, Mesghal, Tola, Custom
Application Modes	Weighing, Dynamic Weighing, Parts Counting with Automatic Sample Recalibration, Percent Weighing, Checkweighing, Totalisation, Display Hold
Tare Range	To capacity by subtraction
Operating Temperature Range	10° - 30°C
Calibration	Digital with External Weight (non-"C" models) Digital with Internal Weight ("C" models with InCal option)
Display Type	2-Line Alphanumeric Backlit LCD Display
Display Size (in/cm)	10 x 2.5

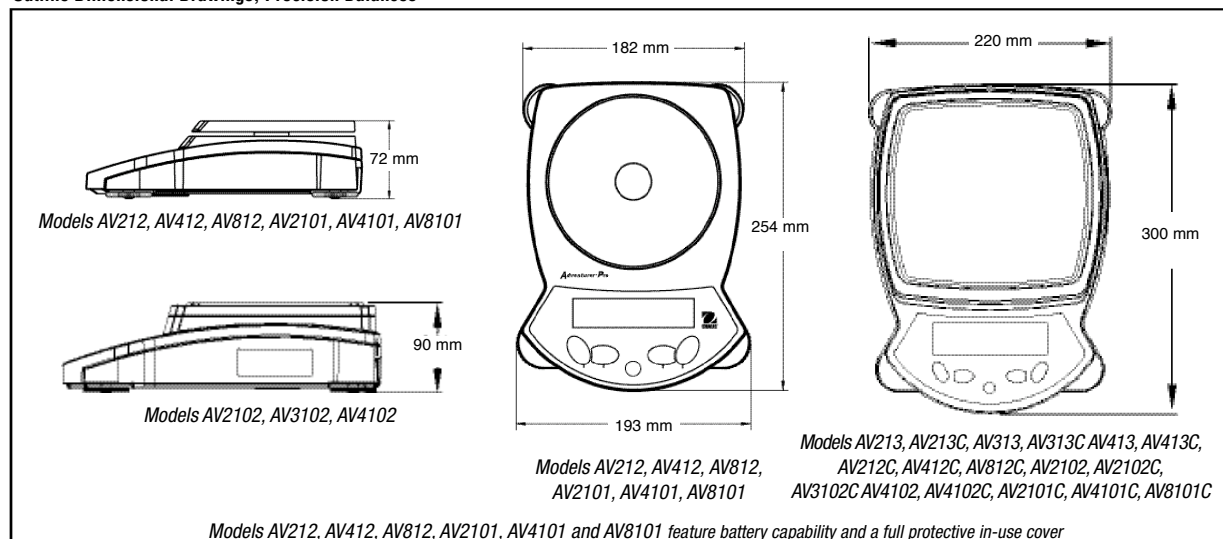
* Milligram unit available on 0.1mg to 1mg models
Kilogram and Pound units available on 0.01g to 0.1g models

Technical Specifications, Precision Balances

Capacity (g)	210	310	410	210	410	810	2100	3100	4100	2100	4100	8100
Readability (g)	0.001			0.01			0.1			0.1		
Repeatability (Std. dev.) (g)	0.001			0.01			0.1			0.1		
Linearity (g)	± 0.002			± 0.02			± 0.2			± 0.2		
Stabilisation Time (seconds)	3		1.5*	3			2*			2*		
Power Requirements w/ InCal	AC Adapter (Included)											
Power Requirements w/o InCal	AC Adapter			AC Adapter (Included) or 4 AA Batteries (not included)			AC Adapter			AC Adapter (Included) or 4 AA Batteries (not included)		
Draughtshield Type with Height Over Pan (cm)	Square: 11.5		None									
Pan Size with InCal (cm)	12 dia.			16.8 x 18			16.8 x 18			14.9 x 16.2		
Pan Size without InCal (cm)	12 dia.			14.9 x 16.2			16.8 x 18			14.9 x 16.2		
Balance Dimensions w/ InCal W x H x D (cm)	22 x 19 x 30		22 x 8.5 x 30									
Balance Dimensions w/o InCal W x H x D (cm)	22 x 19 x 30			19.3 x 7.2 x 25.4			22 x 8.5 x 30			19.3 x 7.2 x 25.4		
Shipping Dimensions w/ InCal W x H x D (cm)	39 x 41 x 50			39 x 33 x 50			39 x 33 x 50			27.6 x 16 x 38.5		
Shipping Dimensions w/o InCal W x H x D (cm)	39 x 41 x 50			27.6 x 16 x 38.5			39 x 33 x 50			27.6 x 16 x 38.5		
Net Weight w/ InCal (kg)	3.7		2.6	3.4		3.2		3.5		2.5		
Net Weight w/o InCal (kg)	3.3		1.2	1.5		2.8		1.6		2.5		
Shipping Wt w/ InCal (kg)	6.6		5.4	6.2		6.1		6.3		2.5		
Shipping Wt w/o InCal (kg)	6.2		2.2	2.4		5.7		2.5		2.5		
Item Number w/ InCal Internal Calibration	AV213C	AV313C	AV413C	AV212C	AV412C	AV812C	AV2102C	AV3102C	AV4102C	AV2101C	AV4101C	AV8101C
Item Number w/o InCal Internal Calibration	AV213	AV313	AV413	AV212	AV412	AV812	AV2102	AV3102	AV4102	AV2101	AV4101	AV8101

*Note: Models AV212C, AV2101C, AV4101C and AV8101C have a stabilization time of 3 seconds

Outline Dimensional Drawings, Precision Balances

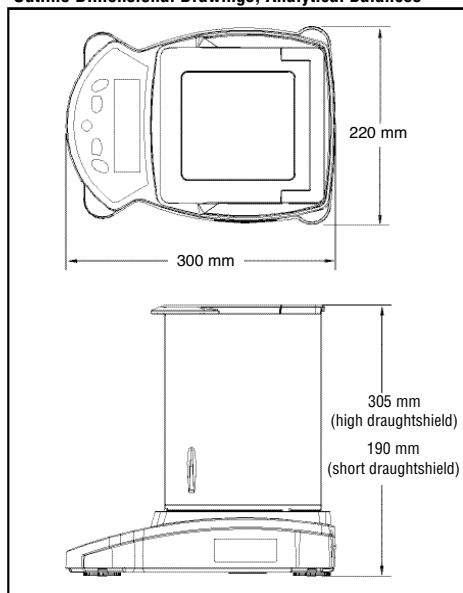


Adventurer™ Pro Balances

Technical Specifications, Analytical Balances

Capacity (g)	110	260
Readability (mg)	0.1	
Repeatability (Std. dev.) (mg)	0.1	
Linearity (mg)	± 0.2	± 0.3
Stabilisation Time (seconds)	3	
Power Requirements	AC Adapter (Included)	
Draughtshield Type w/ Height Over Pan (cm)	Square: 22	
Pan Size (cm)	9 dia.	
Balance Dimensions W x H x D (cm)	22 x 30.5 x 30	
Shipping Dimensions W x H x D (cm)	39 x 52.5 x 50	
Net Weight w/InCal (kg)	4.4	
Net Weight w/o InCal (kg)	4	
Shipping Weight w/ InCal (kg)	7.4	
Shipping Weight w/o InCal (kg)	7	
Model Number w/ InCal Internal Calibration	AV114C	AV264C
Model Number w/o InCal Internal Calibration	AV114	AV264

Outline Dimensional Drawings, Analytical Balances



Other Standard Features and Equipment

Stability indicator, mechanical and software overload/underload protection, low battery indicator, AC adapter, user selectable span calibration points, auto tare, user selectable printing options, user selectable communications settings, user selectable data print options, user definable project and user ID's, software reset menu, software lockout menu

Approvals

CE, FCC, cUL_{US}, cCSA_{US}, NRTL

C Tick

CB Scheme

IP33 (without Power Adapter; with Pan put on)

IP20 (with Power Adapter, with Pan put on)

Options and Accessories

	Ohaus Number
USB Interface	Contact Ohaus for Details
2nd RS232 Comm Port	Contact Ohaus for Details
Impact printer, 42 column	SF42
RS232 cable, SF42 printer	80500571
SF42 printer paper (5 pack)	12101511
SF42 printer ribbon	12101512
RS232 cable, IBM 9 pin	80500525
RS232 cable, IBM 25 pin	80500524
Density determination kit for 0.1/1mg balances	470007-010
Security device	76288-01
TAL Software WinWedge V3.0	SW12W
Calibration masses	Contact Ohaus for Full Offering
Sample Scoops	Contact Ohaus for Full Offering

Industry Leading Quality and Support

All Ohaus Adventurer™ Pro balances are manufactured under an ISO 9001:2000 Registered Quality Management System. Our rugged construction and stringent quality control have been hallmarks of all Ohaus products for nearly a century.

Ohaus UK Ltd.

64 Boston Road
Beaumont Leys
Leicester LE4 1AW
Tel.: 0116 234 5075
Fax: 0116 235 9256
e-mail: uksales@ohaus.com

Ohaus Europe GmbH

Im Langacher
CH-8606 Greifensee
Switzerland
Tel.: +41-44-944 33 66
Fax: +41-44-944 3230
e-mail: EuropeSales@Ohaus.com

Ohaus Corporation

* 19 Chapin Road
Pine Brook, NJ 07058 USA
Tel.: +1-973-377-9000
Fax: +1-973-593-0359
e-mail: OhausHQ@Ohaus.com

With offices in Mexico, Germany, France, Spain, Italy, Poland, Russia, Japan, Korea and China

* ISO 9001

Registered Quality Management System

www.ohaus.com





Adventurer™ Pro

Balances Analytiques et de Précision



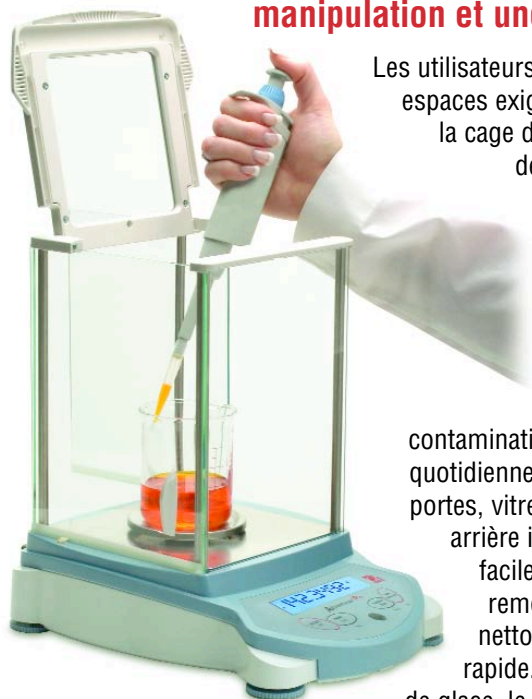
Ohaus Adventurer™ Pro – La balance la plus complète de sa catégorie!

Depuis son introduction, l'Adventurer™ Pro s'est révélée comme la balance de précision la plus polyvalente du marché. Elle compte, elle totalise, elle contrôle et délivre des résultats complets. Aujourd'hui, nous portons la polyvalence à un niveau supérieur en étendant la gamme Adventurer Pro à des modèles Haute résolution. Aucune autre balance de cette catégorie n'offre autant de possibilités dans un format compact:

- **Cage de pesée "Flip Top" avec portes amovibles** – Toutes les portes, parois avant et arrière incluses, sont démontables en quelques secondes et montées sur une surface de travail en inox, pour un nettoyage efficace et rapide.
- **Messages SmarText™ pour une utilisation facile** – SmarText™ est un software Ohaus convivial utilisant de courts messages pour guider l'utilisateur dans le paramétrage et l'utilisation des différentes fonctions de la balance.
- **Conception QuadraStance™ pour une stabilité renforcée** – Pour améliorer la stabilité des pesées, QuadraStance™ comporte 4 pieds réglables pour assurer une parfaite stabilité sur toute surface.
- **Polyvalence grâce aux différentes options** – Garantie de l'exactitude des résultats avec le calibrage interne InCal™. Le montage usine d'une interface USB ou d'une seconde RS232 permet la connexion à de multiples périphériques.

Balances **Adventurer™ Pro**

La cage de pesée Flip Top avec portes amovibles offre un espace de manipulation et une facilité d'entretien exceptionnels



Les utilisateurs obligés de manipuler dans des espaces exigus seront heureux de découvrir la cage de pesée d'Adventurer Pro. Cette dernière a été conçue sans rail supérieur, d'où un accès totalement libre pour manipuler les échantillons à peser. Avec un tel espace de travail, le risque de pollution accidentelle est réduit au minimum.

La réduction du risque de contamination étant une préoccupation quotidienne, toutes les portes, vitres avant et arrière incluses, sont faciles à démonter et remonter pour un nettoyage efficace et rapide. En cas de bris de glace, le remplacement de chaque vitre se fait en quelques secondes.



Le Software SmarText™ relie la machine à l'homme

SmarText™ est un software Ohaus convivial qui utilise de courts messages pour guider l'utilisateur dans l'utilisation des différentes fonctions de la balance. SmarText l'informe sur l'opération en cours et sur l'étape suivante grâce à un écran LCD rétro-éclairé sur 2 lignes et des touches de fonction clairement définies.

Grâce à l'affichage sur 2 lignes, SmarText affiche simultanément le poids et l'information spécifique liée à la fonction utilisée, comme le pourcentage ou le nombre de pièces. Par exemple, sur simple pression de la touche Fonction, SmarText affiche à l'écran la référence, comme le Poids moyen unitaire (APW), et le nombre de pièces sur le plateau.



Le système QuadraStance™ renforce la stabilité

QuadraStance™ comporte 4 pieds réglables pour assurer une stabilité irréprochable sur n'importe quelle surface. QuadraStance évite tout problème de déséquilibre, améliorant ainsi la stabilité de la balance, et assurant la fiabilité des résultats. De plus, le niveau à bulle d'Adventurer Pro est placé à l'avant de la balance, évitant ainsi à l'opérateur de regarder derrière la balance pendant la mise à niveau. Un simple coup d'oeil sur le niveau à bulle permet d'être sûr que la balance est de niveau à chaque utilisation.



Les nombreuses options offrent une grande flexibilité

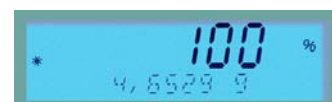
Le calibrage interne InCal™ est désormais disponible sur Adventurer Pro. InCal™ garantit la précision des mesures en offrant la possibilité à l'utilisateur de calibrer la balance avant utilisation sans recourir à l'usage de poids externes. Tous les modèles Adventurer Pro sont dotés d'une interface RS-232, et, si nécessaire, peuvent être équipés d'une seconde interface RS-232 ou USB, permettant la connexion à plusieurs périphériques. Grâce à ses possibilités complètes d'impression BPL/BPF, Adventurer Pro répond parfaitement aux différents besoins de traçabilité.



Autres fonctions et caractéristiques fournies:

Fonctions multiples:

- Pesée d'animaux – Cette fonction permet à l'utilisateur de peser de petits animaux en filtrant leurs mouvements pour afficher une valeur stable
- Comptage de pièces avec optimisation – Cette fonction permet à l'utilisateur de compter des pièces à partir de leur poids unitaire. Avec l'optimisation, la précision de comptage est affinée en permanence par re-calculation du poids unitaire.
- Pesée en pourcentage – Cette fonction permet à l'utilisateur d'afficher la valeur en pourcentage par rapport à un poids de référence.
- Contrôle +/- – Cette fonction permet à l'utilisateur de contrôler le poids d'un échantillon par rapport à des tolérances préenregistrées.
- Totalisation – Cette fonction permet à l'utilisateur de faire la somme des poids d'une série d'échantillons.
- Maintien de l'affichage – Cette fonction permet à l'utilisateur de maintenir affiché le poids d'un échantillon après retrait du plateau jusqu'à effacement.



Adaptable aux conditions environnementales

- Le réglage de trois paramètres permet à l'utilisateur de travailler avec précision sur une application de remplissage à très faible débit pour laquelle la sensibilité de la balance doit être optimale, comme sur une application de pesage en environnement difficile pour laquelle il pourra régler le filtrage électronique et la stabilité de la balance pour compenser vibrations et courants d'air.

Housse de protection

La housse de protection offre une excellente protection contre toutes les projections et/ou débordements de produit lors de la pesée, ce qui réduit considérablement les risques de dégradation de l'écran et du clavier.

Balances Adventurer™ Pro

Polyvalente: Adventurer Pro est la balance la plus complète de sa catégorie

Sécurité

Pour prévenir les chutes accidentelles et les vols, un crochet de sécurité intégré

est prévu pour la fixation du kit antivol

Facile à nettoyer

Le plateau inox Adventurer Pro et sa cage entièrement démontable en font une balance extrêmement facile à nettoyer

Communication

Adventurer Pro est équipée d'une interface RS232. Une 2^{de} interface RS232 ou USB est aussi disponible en option montée en usine

Lecture aisée

Adventurer Pro possède un Ecran LCD rétro-éclairé de 2 lignes alphanumériques. Les modèles portables ont une fonction auto-extinction pour la sauvegarde des piles

Alimentation sur secteur ou piles

Certains modèles portables peuvent aussi bien fonctionner grâce à l'adaptateur secteur inclus, ou grâce à 4 piles type "AA". Une fonction "auto extinction" prolonge la durée de vie des piles.

Crochet de pesée sous balance

La détermination de densité ou le calcul de la masse volumique sont possibles grâce au crochet de pesée sous balance.

Nombreuses unités

Adventurer Pro propose de nombreuses unités, incluant une unité paramétrable par l'utilisateur pour répondre aux besoins spécifiques de certaines applications

Clavier convivial

Clavier 4 touches avec marquage YES, NO, BACK et EXIT pour simplifier l'utilisation et le paramétrage de la balance



Caractéristiques générales

Unités de pesée*	Milligramme, Gramme, Kilogramme, Ounce, Pound, Carat, Pennyweight, Ounce Troy, Grain, Newton, Hong Kong Tael, Singapore Tael, Taiwan Tael, Momme, Tical, Baht, Mesghal, Tola, unité client
Fonctions	Pesée d'animaux, Comptage avec Auto-optimisation, Pesée en Pourcentage, Contrôle +/-, Totalisation, Maintien de l'affichage
Gamme de tarage	Soustractif sur toute la gamme
Température d'utilisation	10° - 30°C
Calibrage	Digital avec poids externe (modèles sans "C") Digital avec poids interne (modèles avec "C" : option InCal)
Type d'affichage	LCD rétro-éclairé avec 2 lignes alphanumériques
Dimensions affichage (cm)	10 x 2,5

* Unité Milligramme disponible sur modèles 0.1mg et 1mg

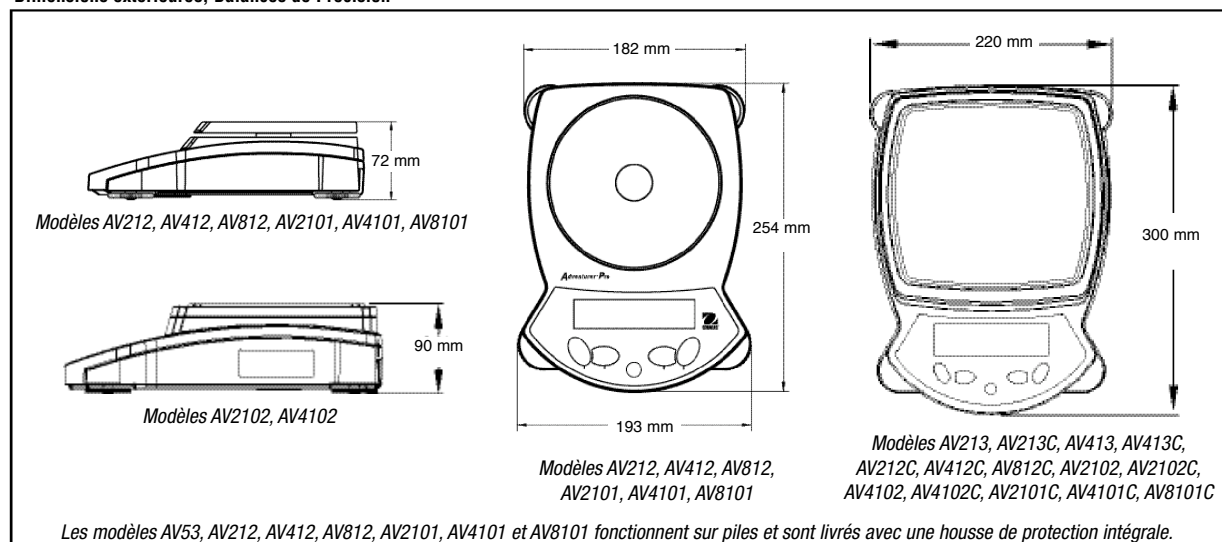
Unités Kilogramme et Pound disponibles sur modèles 0.01g et 0.1

Caractéristiques techniques, Balances de Précision

Capacité (g)	210	310	210	410	810	2100	3100	2100	4100	8100
Précision (g)	0.001		0.01					0.1		
Répétabilité (Ecart type) (g)	0.001		0.01					0.1		
Linéarité (g)	± 0.002		± 0.02					± 0.2		
Temps de stabilisation (sec.)	3		1.5*	3					2*	
Alimentation avec InCal	Adaptateur secteur (Inclus)									
Alimentation sans InCal	Adaptateur secteur (Inclus)		Adaptateur secteur (Inclus) ou 4 piles AA (non incluses)			Adaptateur secteur (Inclus)		Adaptateur secteur (Inclus) ou 4 piles AA (non incluses)		
Type de cage et Hauteur sur plateau (cm)	3 portes: 11.5		Pas de cage							
Dim. plateau avec InCal (cm)	dia.12			16.8 x 18						
Dim. plateau sans InCal (cm)	dia.12			14.9 x 16.2		16.8 x 18		14.9 x 16.2		
Dimensions Balance avec InCal L x H x P (cm)	22 x 19 x 30		22 x 8.5 x 30							
Dimensions Balance sans InCal L x H x P (cm)	22 x 19 x 30		19.3 x 7.2 x 25.4			22 x 8.5 x 30		19.3 x 7.2 x 25.4		
Dimensions emballée avec InCal L x H x P (cm)	39 x 41 x 50		39 x 33 x 50							
Dimensions emballée sans InCal L x H x P (cm)	39 x 41 x 50		27.6 x 16 x 38.5			39 x 33 x 50		27.6 x 16 x 38.5		
Poids Net avec InCal (kg)	3.7		2.6	3.4	3.2		3.5			
Poids Net sans InCal (kg)	3.3		1.2	1.5	2.8		1.6			
Poids emballée avec InCal (kg)	6.6		5.4	6.2	6.1		6.3			
Poids emballée sans InCal (kg)	6.2		2.2	2.4	5.7		2.5			
Références avec InCal (Calibrage interne)	AV213C	AV413C	AV212C	AV412C	AV812C	AV2102C	AV4102C	AV2101C	AV4101C	AV8101C
Références sans InCal (Calibrage interne)	AV213	AV413	AV212	AV412	AV812	AV2102	AV4102	AV2101	AV4101	AV8101

*Note: Le temps de stabilisation des modèles AV212C, AV2101C, AV4101C et AV8101C est de 3 secondes

Dimensions extérieures, Balances de Précision

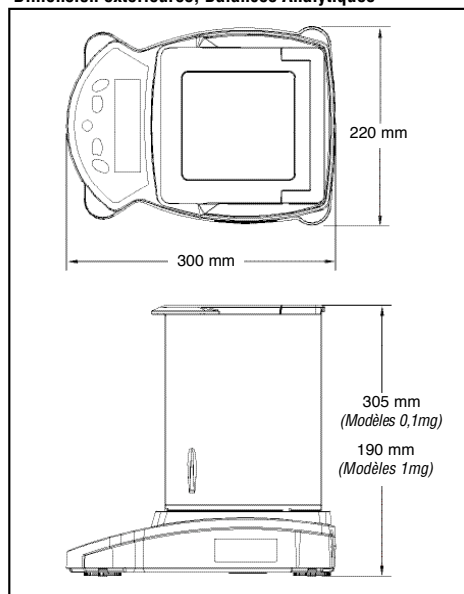


Balances Adventurer™ Pro

Caractéristiques techniques, Balances analytiques

Capacité (g)	110	260
Précision (g)	0.1	
Répétabilité (Ecart type) (g)	0.1	
Linéarité (g)	± 0.2	± 0.3
Temps de stabilisation (secondes)	3	
Alimentation	Adaptateur secteur (Inclus)	
Type de cage et hauteur sur plateau (cm)	3 portes: 22	
Dimension plateau (cm)	dia. 9	
Dimensions Balance L x H x P (cm)	22 x 30.5 x 30	
Dimensions emballée L x H x P (cm)	39 x 52.5 x 50	
Poids Net avec InCal (kg)	4.4	
Poids Net sans InCal (kg)	4	
Poids emballée avec InCal (kg)	7.4	
Poids emballée sans InCal (kg)	7	
Références avec InCal Calibrage Interne	AV114C	AV264C
Références sans InCal Calibrage Interne	AV114	AV264

Dimension extérieures, Balances Analytiques



Autres caractéristiques et équipements

Indicateur de stabilité, protection mécanique et électronique contre les sur/sous charges, indicateur de batteries faibles, adaptateur secteur, points de calibrage paramétrables par l'utilisateur, auto tare, options d'impression et de communication paramétrables, identifications alphanumériques projet et utilisateur, menu retour paramètres usine, menu verrouillage

Approbations

Approbation CE de Type : Classe I et II

CE, FCC, cUL_{US}, cCSA_{US}, NRTL

C Tick

CB Scheme

Options and Accessories

Interface USB	Contactez Ohaus pour plus d'informations
2nde interface RS232	Contactez Ohaus pour plus d'informations
Imprimante à impact, 42 colonnes	SF42
Câble RS232, Imprimante SF42	21253677
Rouleaux de papier SF42 (lot de 5)	12101511
Ruban encreur imprimante SF42	12101512
Câble RS232, PC 9 broches	00410024
Câble RS232, PC 25 broches	80800524
Kit détermination de densité modèles 0.1/1mg	80850045
Kit anti-vol	80850000
Masses de calibrage	Contactez Ohaus pour plus d'informations
Couppelles de pesée	Contactez Ohaus pour plus d'informations

Support et système qualité

Toutes les balances Ohaus Adventurer™ Pro sont fabriquées suivant un système qualité ISO 9001:2000. Une construction robuste et un contrôle qualité stricte sont la marque de tous les produits Ohaus depuis presque un siècle.

Ohaus sarl

BP 30 – 85 rue Joseph Bertrand
78221 Viroflay Cedex, France
Tél.: 33 (0) 1 39 24 01 93
Fax: 33 (0) 1 39 24 01 94
e-mail: FranceSales@ohaus.com

Ohaus Europe GmbH

Im Langacher
CH-8606 Greifensee
Switzerland
Tel.: +41-44-944 33 66
Fax: +41-44-944 3230
e-mail: EuropeSales@Ohaus.com

Ohaus Corporation

* 19 Chapin Road
Pine Brook, NJ 07058 USA
Tel.: +1-973-377-9000
Fax: +1-973-593-0359
e-mail: OhausHQ@Ohaus.com

Egalement en Allemagne, Angleterre,
Canada, Corée, Espagne, Italie, Japon,
Russie, Mexique et Pologne.

* ISO 9001

Registered Quality Management System

Adresse internet: www.ohaus.com



Adventurer™ Pro

Analysen und Präzisionswaagen



Ohaus Adventurer™ Pro – Die best ausgestattete Waage ihrer Klasse!

Seit ihrer Einführung hat sich die Adventurer™ Pro als robuste, flexibel einsetzbare Waage etabliert. Sie zählt, sie summiert, sie hält und sie liefert nachweisbare Ergebnisse. Jetzt erweitern wir die Vielseitigkeit dieser Waage mit neuen Leistungsmerkmalen und Analysen- und Präzisionsmodellen. Keine andere Waage in ihrer Klasse bietet soviel Ausstattung in so einem kompakten Design.

- **Einfacher Zugang, rahmenloser Windschutz mit abnehmbaren Türen** – alle Türen, einschließlich der Front- und Rückverglasung sind in Sekunden entfernt, und zusammen mit dem Edelstahl Wägeboden ist alles einfach und schnell zu säubern.
- **SmarText™ Software führt den Benutzer durch die Anwendungen** – SmarText™ führt mit Textinformationen den Benutzer durch die Wägeanwendungen und Waageinstellungen.
- **QuadraStance™ Design garantiert optimale Standortanpassung** – um eine optimale Wägestabilität auf jeder Oberfläche zu garantieren, sind die Adventurer Pro Waagen mit 4 Nivellierfüßen ausgestattet.
- **Flexibilität bei den verfügbaren Optionen** – Sichern Sie die Meßgenauigkeit ihrer Waage mit der internen Justierung InCal™. Eine werkseitig installierte USB oder zweite RS232 Datenschnittstelle erlaubt eine Anbindung an mehrere Pheripriegeräte.

Adventurer™ Pro Waagen

Rahmenloser Windschutz mit entfernbarer Türen bietet bequemen Zugang

Anwender, die frustriert sind über enge Zugänge zum Wägeraum, werden über den bequemen Zugang bei der Adventurer Pro begeistert sein. Der Windschutz ist ohne Notwendigkeit eines oberen Rahmens konzipiert, so dass das zu wägende Material einfach auf- oder abzunehmen ist. Dank dem ungehinderten Zugang wird eine Verschmutzung des Wägeraums minimiert.

Da Hygiene eine immer größere Rolle spielt, sind alle Türen einschließlich der Front- und Rückseite schnell und einfach zu entfernen und können problemlos gereinigt werden. Bei einem Glasschaden kann in 3 einfachen Schritten jede Ersatztür oder Verkleidung in Sekunden ersetzt werden.



SmarText™ Software für anwenderfreundliches Arbeiten

SmarText™ ist die Ohaus Waagensoftware, die mit Textinformationen den Benutzer durch alle Wäganwendungen und Einstellungen der Waage führt. Das 2-zeilige alphanumerische, hinterleuchtete LC-Display informiert über das, was Sie gerade tun und das, was Sie danach tun müssen. SmarText™ zeigt simultan das Gewicht und die Wäganwendungen an.



Als Beispiel zeigt SmarText™ bei Druck auf die Funktionstaste, funktionsbezogene Informationen wie durchschnittliches Stückgewicht (APW) während der Stückzählung an.

QuadraStance™ Design für optimale Standortanpassung

QuadraStance™ Design sorgt mittels 4 Nivellierfüßen für optimale Anpassung auf jeder möglichen Oberfläche. Dadurch wird ein Wackeln oder Neigen der Waage während dem Einsatz verhindert und garantiert damit akkurate Ergebnisse. Zusätzlich wurde die Adventurer Pro mit einer Frontlibelle ausgestattet, die das Nivellieren der Waage noch einfacher macht. Vor jedem Gebrauch der Waage reicht ein kurzer Blick, um festzustellen ob die Waage noch korrekt ausgerichtet ist.



Flexibilität mit den verfügbaren Optionen

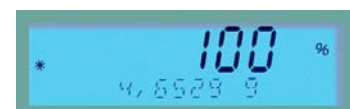
Die Adventurer Pro ist nun auch mit einer internen Justierung InCal™ verfügbar. Die Justierung sichert die Meßgenauigkeit und Reproduzierbarkeit der Waage und mit InCal™ benötigen Sie keine zusätzlichen externen Gewichte. Alle Adventurer Pro Modelle haben standardmäßig eine RS232 Datenschnittstelle und für eine erweiterte Funktionalität kann sie werkseitig entweder mit einer zweiten RS232 oder USB Schnittstelle ausgestattet werden, zur Anbindung mehrerer Pheripheriegeräte. Die GLP/GMP Datenausgabe gewährleistet die Einhaltung der Qualitätsrichtlinien.



Weitere Merkmale inklusive:

Mehrere Wägeanwendungen:

- Tier-/Dynamische Wägung – Adventurer Pro's Tier-/Dynamische Wägefunktion kompensiert Schwingungen, Vibrationen oder Erschütterungen z.B. beim Wägen von Tieren. Hierzu wird eine Anzahl von Messzyklen zu einem Mittelwert gebildet!
- Stückzählung mit Autooptimierung – Diese Funktion bietet die Möglichkeit der automatischen Rekalkulation des durchschnittlichen Stückgewichtes – anstatt 100 Teile für eine Probe zu zählen, zählen Sie 10 Teile und lassen die Adventurer Pro den Rest der Probe für Sie zählen!
- Prozentwägung – Diese Funktion ermöglicht das Vergleichen von Proben. Auf Tastendruck wird das Gewicht einer Probe als Prozentsatz eines Bezugsgewichts angezeigt!
- Kontrollwägung – Die Funktion der Kontrollwägung überprüft Proben gegen ein vorgegebenes Zielgewicht innerhalb der benutzerdefinierten Toleranzen!
- Summieren – Mit der Memory Funktion können Sie beliebig viele Einzelwägungen automatisch zu einer Gesamtsumme addieren. Entgegen vielen anderen Waagen sogar bis zum Limit der Displayanzeige (7 Stellen)!
- Display Hold – Die Display-Hold-Funktion der Adventurer Pro zeigt den letzten stabilen Gewichtswert bis zum nächsten Tastendruck. So kann auch bei sperrigen Wägegütern der Wert nachträglich problemlos abgelesen werden!



Wählbare Standortanpassung

- Drei Filtereinstellungen und die justierbare Nullpunktnachführung sind für langsame Füllwägungen ideal, wo Empfindlichkeit ein Muss ist. Bei ungünstigen Umgebungsbedingungen können die Einstellungen so verändert werden, das die Waage Vibrationen oder andere Störfaktoren kompensiert.

Arbeitsschutzabdeckung

Die austauschbare Abdeckung für das Display bietet Schutz gegen Staub oder anderer Rückstände und schützt vor Beschädigungen der Displayanzeige und Tasten.

Adventurer™ Pro Waagen

Die best ausgestattete Waage ihrer Klasse!

Sicherheit

Die integrierte Sicherheitsöse und das optionale Schloss schützen vor unbefugter

Standortveränderung oder Diebstahl

Einfache Reinigung

Die Adventurer Pro Edelstahl Wägeplattformen und der abnehmbare Winding garantieren eine einfache Reinigung

Anbindung

Adventurer Pro ist serienmäßig mit einer RS232 Datenschnittstelle. Eine zweite RS232 oder USB Schnittstelle sind als Werkseinbau erhältlich

Leicht abzulesen

Adventurer Pro bietet ein 2-zeiliges, hinterleuchtetes LCD. Die portablen Modelle haben zur Batterieschonung eine autom. Abschaltung für die Hintergrundbeleuchtung

Netz- und /oder Batteriebetrieb

Einige Modelle sind portabel und können wahlweise mit dem mitgelieferten Netzadapter oder optional mit Batterien betrieben werden. Eine automatische Abschaltung schont die Lebensdauer der Batterien

Unterflurwägehaken

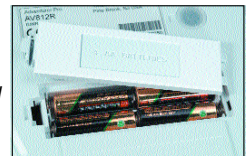
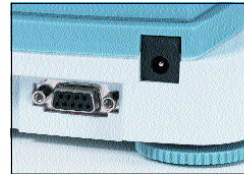
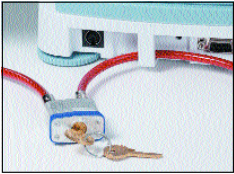
Mit dem im Boden integrierten Unterflurwägehaken können Wägungen zur Dichtebestimmung oder zur Bestimmung des spezifischen Gewichts durchgeführt werden

Verschiedene Wägeeinheiten

Adventurer Pro ist mit einer Vielzahl von Wägeeinheiten ausgestattet, inklusive einer frei definierbaren Wägeeinheit z.B. für die Berechnung von g/m^2

Einfache Bedienung

Die 4-Tasten-Bedienung mit den definierten JA, NEIN, ZURÜCK und EXIT Tasten machen das Navigieren im Menü und die Menüeinstellungen ganz einfach



Generelle Spezifikationen

Wägeeinheiten*	Milligramm, Gramm, Kilogramm, Ounce, Pound, Karat, Pennyweight, Ounce Troy, Grain, Newton, Hong Kong Tael, Singapore Tael, Taiwan Tael, Momme, Tical, Baht, Mesghal, Tola, frei definierbare Einheit
Wägefunktionen	Wägen, Stückzählung mit Autooptimierung, Dynamisches Wägen (Tierwägung), Prozentwägung, Kontrollwägung, Summieren, Display-Hold-Funktion
Tarierbereich	Subtraktiv, gesamter Wägebereich
Betriebstemperatur	10° - 30°C
Justierung	Digital mit externen Gewichten Digital mit internen Gewichten ("C" Modelle mit InCal)
Display	2-zeilig alphanumerisches, hinterleuchtetes LCD
Display Größe (cm)	10 x 2.5

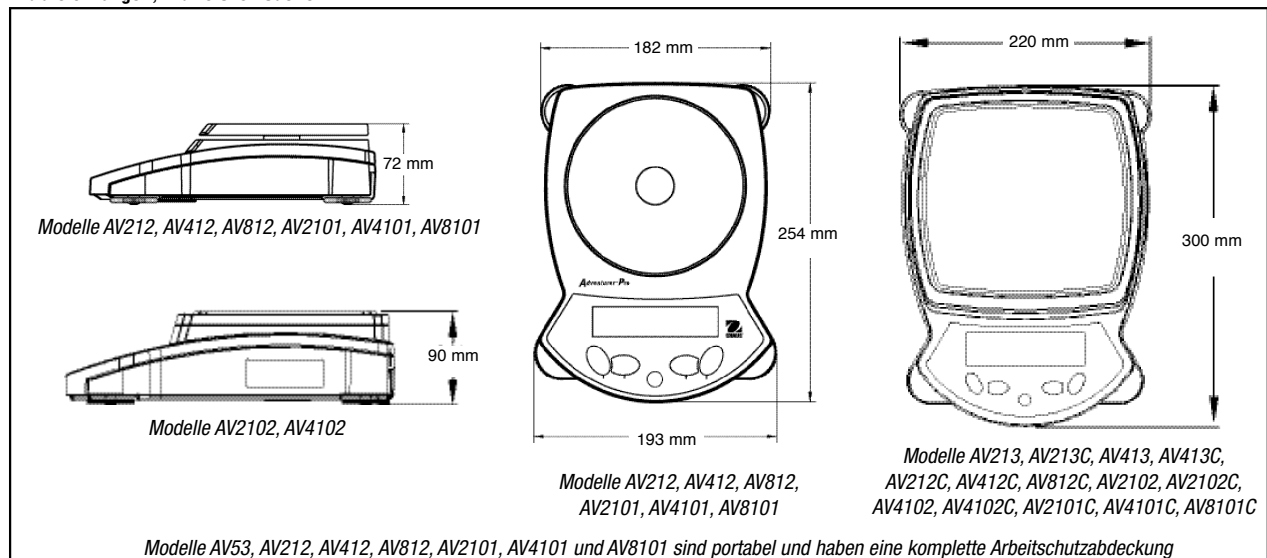
* Milligramm nur bei 0.1mg bis 1mg Modellen verfügbar,
Kilogramm und Pound nur bei 0.01g bis 0.1g Modellen verfügbar

Technische Spezifikationen Präzisionsmodelle

Wägebereich (g)	210	410	210	410	810	2100	4100	2100	4100	8100
Ablesbarkeit (g)	0.001		0.01			0.1				
Reproduzierbarkeit (Std. Abw.) (g)	0.001		0.01			0.1				
Linearität (g)	± 0.002		± 0.02			± 0.2				
Stabilisierungszeit (Sekunden)	3		1.5*		3			2*		
Stromversorgung mit InCal	AC Adapter									
Stromversorgung ohne InCal	AC Adapter		AC Adapter oder 4 AA Batterien (optional)			AC Adapter		AC Adapter oder 4 AA Batterien (optional)		
Windschutz Typ mit lichter Höhe über Plattform (cm)	Quadratisch: 11.5		Keinen							
Plattformgröße mit InCal (cm)	12 Ø				16.8 x 18					
Plattformgröße ohne InCal (cm)	12 Ø		14.9 x 16.2		16.8 x 18		14.9 x 16.2			
Gehäusemaße mit InCal B x H x T (cm)	22 x 19 x 30		22 x 8.5 x 30							
Gehäusemaße ohne InCal B x H x T (cm)	22 x 19 x 30		19.3 x 7.2 x 25.4			22 x 8.5 x 30		19.3 x 7.2 x 25.4		
Versandmaße mit InCal B x H x T (cm)	39 x 41 x 50		39 x 33 x 50							
Versandmaße ohne InCal B x H x T (cm)	39 x 41 x 50		27.6 x 16 x 38.5			39 x 33 x 50		27.6 x 16 x 38.5		
Nettogewicht mit InCal (kg)	3.7		2.6		3.4		3.2		3.5	
Nettogewicht ohne InCal (kg)	3.3		1.2		1.5		2.8		1.6	
Versandgewicht mit InCal (kg)	6.6		5.4		6.2		6.1		6.3	
Versandgewicht ohne InCal (kg)	6.2		2.2		2.4		5.7		2.5	
Modell N r. mit interner Justierung InCal	AV213C	AV413C	AV212C	AV412C	AV812C	AV2102C	AV4102C	AV2101C	AV4101C	AV8101C
Modell N r. ohne interner Justierung InCal	AV213	AV413	AV212	AV412	AV812	AV2102	AV4102	AV2101	AV4101	AV8101

Hinweis: Modelle AV212C, AV2101C, AV4101C und AV8101C haben eine Stabilisierungszeit von 3 Sekunden.

Maßzeichnungen, Präzisionsmodelle

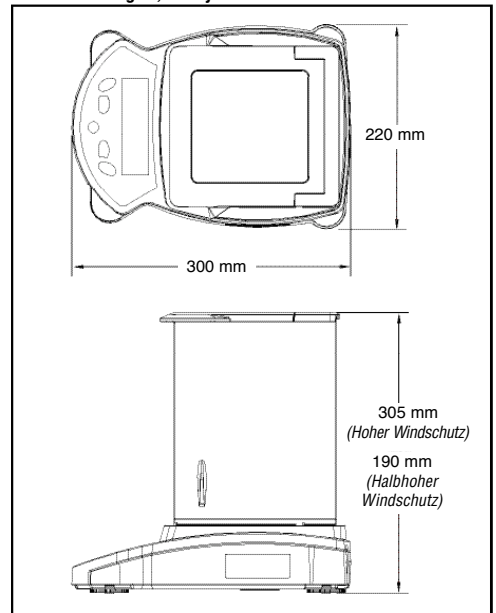


Adventurer™ Pro Waagen

Technische Spezifikationen Analysenmodelle

Wägebereich (g)	110	260
Ablesbarkeit (mg)	0.1	
Reproduzierbarkeit (Std. Abw.) (mg)	0.1	
Linearität (mg)	± 0.2	± 0.3
Stabilisierungszeit (Sekunden)	3	
Stromversorgung	AC Adapter	
Windschutz Typ mit lichter Höhe über Plattform (cm)	Quadratisch: 22	
Plattformgröße (cm)	9 Ø	
Gehäusemaße B x H x T (cm)	22 x 30.5 x 30	
Versandmaße B x H x T (cm)	39 x 52.5 x 50	
Nettogewicht mit InCal (kg)	4.4	
Nettogewicht ohne InCal (kg)	4	
Versandgewicht mit InCal (kg)	7.4	
Versandgewicht ohne InCal (kg)	7	
Modell N r. mit interner Justierung InCal	AV114C	AV264C
Modell N r. ohne interner Justierung InCal	AV114	AV264

Maßzeichnungen, Analysenmodelle



Standardausstattung:

2-zeiliges hinterleuchtetes LC-Display, RS232 Datenschnittstelle, Nivellierfüße und Justierlibelle, Diebstahlsicherungs Vorrichtung, Unterflurwägeeinrichtung, Standortanpassung, Stabilitätsanzeige, Software und mechanischer Über-/Unterlastschutz, Batteriekapazitätsanzeige und autom. Abschaltung bei Batteriebetrieb, benutzerwählbare Messspannenkalibrierung, Autotara, benutzerwählbare Druckoptionen, GLP/GMP Datenausgabe, Menüisierung, Arbeitsschutzabdeckung, Netzadapter.

Zubehör optional:

Dichtebestimmungssatz für Analysenmodelle
 Diebstahlsicherung
 USB Datenschnittstelle
 Zweite RS232 Datenschnittstelle
 SF-42 Drucker (inkl. Kabel)
 Software zur Datenübertragung an PC
 Verbindungskabel für PC
 Justiergewichte

Ohaus GmbH
 Ockerweg 3a
 D-35396 Giessen
 Tel.: +49 (0) 641 / 79 90 08-0
 Fax: +49 (0) 641 / 7 10 25
 Email: Ohaus.Deutschland@ohaus.com
 www.ohaus.de

Ohaus Europe GmbH
 Im Langacher
 CH-8606 Greifensee
 Switzerland
 Tel.: +41-44-944 33 66
 Fax: +41-44-944 3230
 e-mail: EuropeSales@Ohaus.com
 www.ohaus.com

*Weitere Niederlassungen in England,
 Frankreich, Spanien, Italien, Polen,
 Russland, Mexiko, Japan, Korea und China*

ISO 9001: 2000
 Registered Quality Management System



Adventurer™ Pro

Bilance Analitiche e di Precisione



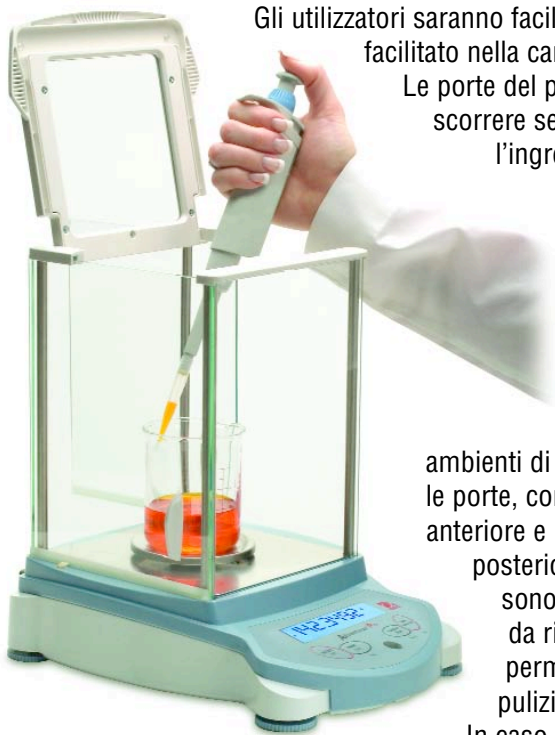
Ohaus Adventurer Pro – La bilancia più completa della sua categoria!

Fin dalla loro introduzione, le Ohaus Adventurer Pro si sono distinte nell'industria come bilance molto versatili, grazie alle applicazioni di conteggio, somma, visualizzazione e registrazione dei risultati. Ora la gamma Adventurer Pro introduce una linea completa di bilance Analitiche e di Precisione per una maggiore flessibilità. Nessun'altra bilancia di questa categoria possiede tutte queste caratteristiche in una struttura compatta:

- **Facile accesso, paravento privo di telaio con finestre rimovibili** – Tutte le porte, incluse le finestre frontale e posteriore, insieme alla piastra inferiore in acciaio inossidabile, possono essere facilmente e rapidamente rimosse e pulite.
- **Software SmartText, guida utente per l'uso corretto della bilancia** – SmartText è un software intuitivo di Ohaus per utilizzare correttamente la bilancia; richiami testuali permettono all'utilizzatore di scegliere le applicazioni e impostare facilmente la bilancia.
- **Il design QuadraStance assicura una maggiore stabilità grazie ai piedini regolabili** – Per migliorare la stabilità delle pesate, QuadraStance incorpora quattro piedini a garanzia di stabilità della bilancia su qualsiasi superficie.
- **Accessori, massima flessibilità** – Massima accuratezza delle pesate grazie alla regolazione interna InCal. L'installazione in fabbrica di un'interfaccia USB o di una seconda RS232, permette la connessione a più periferiche.

Bilancia Adventurer Pro

Paravento privo di telaio con porte rimovibili per un facile accesso



Gli utilizzatori saranno facilmente agevolati nel loro lavoro grazie all'accesso facilitato nella camera di pesata della Adventurer Pro.

Le porte del paravento sono state progettate per scorrere senza guide, in modo da facilitare l'ingresso e l'uscita dei campioni da pesare. Tale accorgimento, privo di ostacoli, diminuisce notevolmente la probabilità di versare accidentalmente il campione da pesare, contribuendo così alla riduzione degli sprechi. La contaminazione è un problema sempre più frequente negli

ambienti di lavoro: per questo motivo, tutte le porte, comprese la parte anteriore e la finestra posteriore in vetro, sono semplici da rimuovere permettendo una pulizia facile e veloce.

In caso di rottura, ogni porta o finestra può essere sostituita e rimontata in poco tempo, seguendo 3 semplici operazioni.



Il software SmartText™ migliora il rapporto uomo-macchina

SmartText è un software intuitivo di Ohaus per utilizzare correttamente la bilancia; richiami testuali permettono all'utilizzatore di scegliere le applicazioni e impostare facilmente la bilancia. Grazie a un display LCD retroilluminato a 2 linee e a tasti chiari, il software SmartText Vi guida in ogni momento e Vi suggerisce cosa fare.



Utilizzando le 2 linee LCD, SmartText visualizza simultaneamente il peso e le informazioni relative all'applicazione in uso, quali la percentuale o il conteggio. Per esempio, premendo il tasto Function, SmartText visualizzerà le informazioni relative all'applicazione in uso, quali il peso medio del pezzo (APW), oltre al conteggio pezzi.

Design QuadraStance: garanzia di massima stabilità

QuadraStance comprende quattro piedini regolabili per garantire una maggiore stabilità della bilancia su qualsiasi superficie. QuadraStance permette di ridurre oscillazioni o movimenti improvvisi, aumenta la stabilità di pesata della bilancia e mantiene le Adventurer Pro fisse e accurate.

Inoltre le Adventurer Pro sono state progettate con una bolla di livello frontale per facilitare la messa in bolla della bilancia. Una rapida occhiata alla bolla assicura che la bilancia sia installata correttamente prima di ogni utilizzo.



Accessori: massima flessibilità

Le Adventurer Pro sono disponibili anche con la regolazione interna InCal™. InCal assicura l'accuratezza delle pesate permettendovi di regolare la bilancia, quando necessario, senza utilizzare masse esterne.

Tutti i modelli Adventurer Pro possiedono un'interfaccia RS232 integrata; per una maggiore funzionalità possono essere forniti con una seconda interfaccia USB o RS232, permettendo connessioni con più periferiche. Le Adventurer Pro possono fornire dati conformi a GLP/GMP, soddisfacendo ogni richiesta di rintracciabilità.



Caratteristiche standard incluse:

Applicazioni integrate:

- Pesata dinamica – tale applicazione permette all'utilizzatore di pesare piccoli animali, filtrandone i movimenti, per fornire un'indicazione stabile del peso
- Conteggio pezzi con ottimizzazione – tale applicazione permette all'utilizzatore di eseguire il conteggio basandosi su un peso calcolato del pezzo. Grazie all'ottimizzazione è migliorata l'accuratezza del conteggio, tramite il ricalcolo automatico del peso del pezzo
- Pesata percentuale – tale applicazione permette all'utilizzatore di visualizzare il peso di un campione come percentuale di un peso di riferimento
- Pesata di controllo – tale applicazione permette all'utilizzatore di controllare il peso di un campione rispetto a un valore prestabilito
- Totalizzazione – tale applicazione permette all'utilizzatore di sommare una serie di pesate
- Mantenimento valore a display – tale modalità permette all'utilizzatore di mantenere il valore di peso stabile più elevato sul display fino alla sua cancellazione



Configurazione dei parametri ambientali

- Le tre modalità di filtro e la funzione di auto azzeramento definibili dall'utilizzatore sono ideali per il funzionamento nelle applicazioni di riempimento dove è molto importante l'accuratezza delle pesate. In ambienti aggressivi, l'utilizzatore può regolare i parametri della bilancia per compensare le vibrazioni e altri disturbi esterni.

Capottina protettiva integrata

La capottina protettiva è sostituibile e offre protezione dalla polvere e da residui, riducendo le probabilità di danneggiamento sia della tastiera sia del display.

Bilancia Adventurer Pro

Caratteristiche complete: Adventurer Pro è la bilancia più completa della sua categoria



Sicurezza

Per prevenire furti o spostamenti ingiustificati, una staffa di sicurezza integrata permette

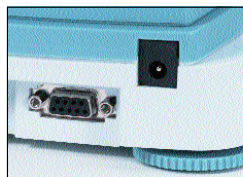
il passaggio del lucchetto disponibile come accessorio

Facile da pulire

Il piatto in acciaio inossidabile della Adventurer Pro e l'anello paravento rimovibili, rendono facili le operazioni di pulizia

Collegamenti

L'Adventurer Pro possiede di serie un'interfaccia RS232. Una seconda interfaccia RS232 o USB è disponibile come accessorio installato in fabbrica



Alimentatore AC e/o batterie

Alcuni modelli sono portatili e possono funzionare sia alimentati a rete sia con 4 batterie "AA". La funzione di autospegnimento garantisce la durata delle batterie.



Display ad alta visibilità

L'Adventurer Pro è caratterizzata da un display LCD retroilluminato a 2 linee alfanumeriche. I modelli portatili comprendono la funzione di autospegnimento per garantire la durata delle batterie



Gancio di pesata sotto la bilancia

Integrato nell'Adventurer Pro, permette la determinazione della densità o il calcolo della gravità specifica dei campioni



Diverse unità di misura

L'Adventurer Pro include numerose unità di misura oltre ad una unità definibile liberamente dall'utente per l'uso in applicazioni particolari

Tastiera intuitiva

Tastiera a quattro tasti con funzioni dedicate: YES, NO, BACK e EXIT. Semplifica la navigazione nel menù e le impostazioni della bilancia

Specifiche generali, tutti i modelli

Unità di misura*	Milligrammi, Grammi, Kilogrammi, Oncia, Libbre, Carati, Pennyweight, Oncia Troy, Grano, Newton, Hong Kong Tael, Singapore Tael, Taiwan Tael, Momme, Tical, Baht, Mesghal, Tola, Unità personalizzabile
Applicazioni	Pesata semplice, Pesata dinamica/animali, Conteggio pezzi con ricalcolo automatico del campione, Pesata percentuale, Controllo peso, Totalizzazione, Mantenimento a display
Campo di Tara	Sottrattivo alla portata totale
Temperatura di lavoro	10° - 30°C
Regolazione	Digitale con massa esterna (esclusi modelli "C") Digitale con massa interna (modelli "C" con opzione InCal)
Display	Display LCD retroilluminato a 2 linee alfanumeriche
Dimensione display (mm)	100 x 25

* Milligrammi disponibili solo sui modelli da 0.1mg e 1mg

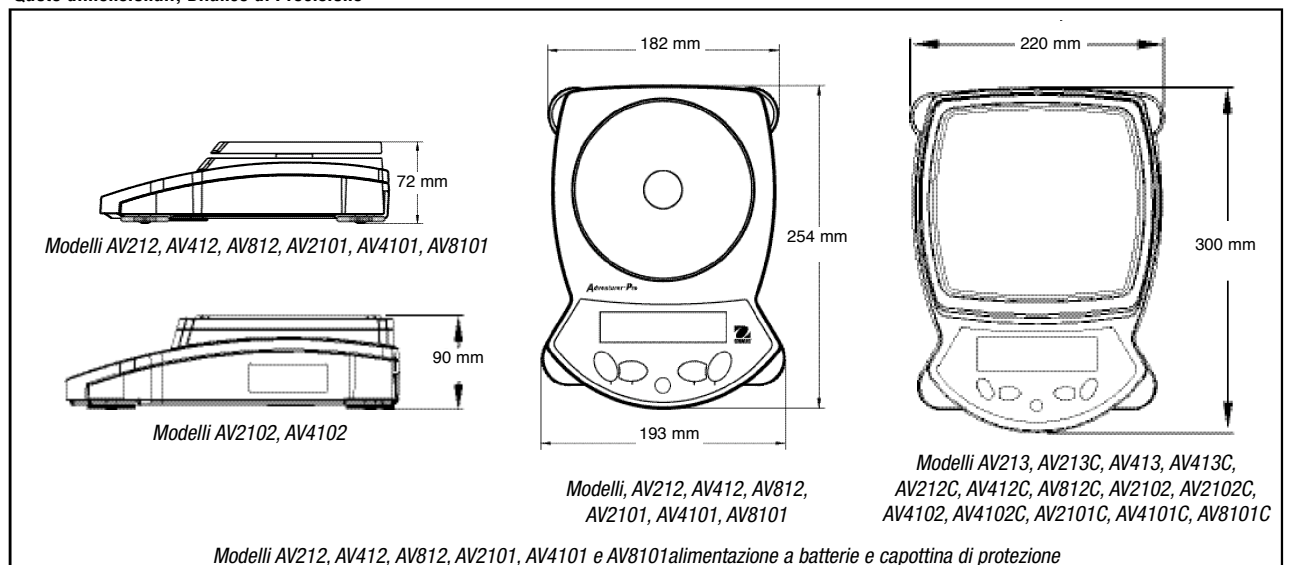
Kilogrammi e Libbre disponibili solo sui modelli 0.01g e 0.1g

Specifiche tecniche, Bilance di Precisione

Portata (g)	210	410	210	410	810	2100	4100	2100	4100	8100
Risoluzione (g)	0.001		0.01			0.1				
Ripetibilità (Dev. std.) (g)	0.001		0.01			0.1				
Linearità (g)	± 0.002		± 0.02			± 0.2				
Tempo di stabilizzazione (s)	3		1.5*	3			2*			
Alimentazione con InCal	Alimentatore AC (Incluso)									
Alimentazione senza InCal	Alimentatore AC (incluso)		Alimentatore AC (incluso) o 4 Batterie AA (non incluse)			Alimentatore AC (incluso)		Alimentatore AC (incluso) o 4 Batterie AA (non incluse)		
Forma paravento	Quadrato:		Non previsto							
Altezza sopra il piatto (mm)	115									
Dimens. piatto con InCal (mm)	120 dia.				168 x 180					
Dimens. piatto senza InCal	120 mm dia.			149 x 162 mm		168 x 180 mm		149 x 162 mm		
Dimensioni bilancia con InCal L x H x P (mm)	220 x 190 x 300		220 x 85 x 300							
Dimensioni bilancia senza InCal L x H x P (mm)	220 x 190 x 300		193 x 72 x 254			220 x 85 x 300		193 x 72 x 254		
Dimensioni imballo con InCal L x H x P (mm)	390 x 410 x 500		390 x 330 x 500							
Dimensioni imballo senza InCal L x H x P (mm)	390 x 410 x 500		276 x 160 x 385			390 x 330 x 500		276 x 160 x 385		
Peso netto con InCal (kg)	3.7		2.6	3.4		3.2		3.5		
Peso netto senza InCal (kg)	3.3		1.2	1.5		2.8		1.6		
Peso imballo con InCal (kg)	6.6		5.4	6.2		6.1		6.3		
Peso imballo senza InCal (kg)	6.2		2.2	2.4		5.7		2.5		
Codice articolo con regolazione interna InCal	AV213C	AV413C	AV212C	AV412C	AV812C	AV2102C	AV4102C	AV2101C	AV4101C	AV8101C
Codice articolo senza regolazione interna InCal	AV213	AV413	AV212	AV412	AV812	AV2102	AV4102	AV2101	AV4101	AV8101

*Nota: Modelli AV212C, AV2101C, AV4101C e AV8101C: tempo di stabilizzazione di 3 secondi

Quote dimensionali, Bilance di Precisione

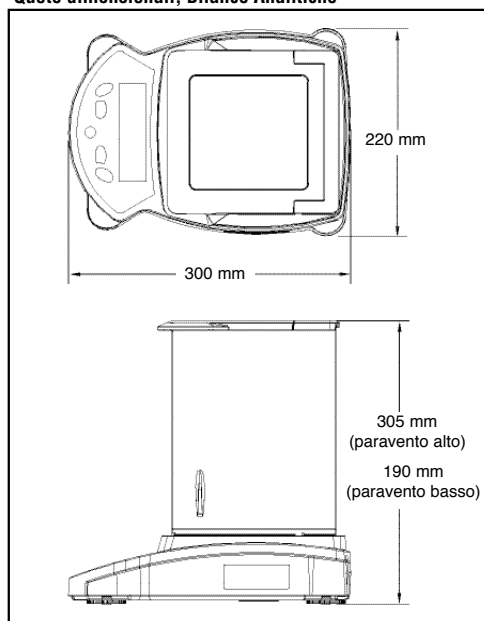


Bilancia Adventurer Pro

Specifiche tecniche, Bilance Analitiche

Portata (g)	110	260
Risoluzione (mg)	0.1	
Ripetibilità (Dev. std.) (mg)	0.1	
Linearità (mg)	± 0.2	± 0.3
Tempo di stabilizzazione (secondi)	3	
Alimentazione	Alimentatore AC (Incluso)	
Forma paravento	Quadrato: 220	
Altezza sopra il piatto (mm)	90 dia.	
Dimensione piatto (mm)	220 x 305 x 300	
Dimensioni bilancia L x H x P (mm)	390 x 525 x 500	
Peso netto con InCal (kg)	4.4	
Peso netto senza InCal (kg)	4	
Peso imballo con InCal (kg)	7.4	
Peso imballo senza InCal (kg)	7	
Codice articolo con regolazione interna InCal	AV114C	AV264C
Codice articolo senza regolazione interna InCal	AV114	AV264

Quote dimensionali, Bilance Analitiche



Caratteristiche standard / Equipaggiamento

Indicatore di stabilità, protezione meccanica e elettronica da sovra- e sottocarico, indicatore batterie scariche, alimentatore AC, punti di regolazione span selezionabili dall'utente, auto tara, opzioni di stampa selezionabili dall'utente, impostazioni di comunicazione, opzioni di stampa dati selezionabili dall'utente, progetto e ID definibili dall'utente, funzione reset, funzione blocco menù

Approvazioni

CE, FCC, cUL_{US}, cCSA_{US}, NRTL

C Tick

Schema CB

IP33 (senza alimentatore; con piatto)

IP20 (con alimentatore e piatto)

Opzioni e Accessori

Interfaccia USB	Contattare Ohaus per maggiori informazioni
Seconda porta RS232	Contattare Ohaus per maggiori informazioni
Stampante a 42 colonne	SF42
Cavo RS232 per stampante SF42	80500571
Rotoli carta non termica per SF42 (5 pz)	00072456
Nastro inchiostro per SF42	00065975
Cavo RS232, IBM 9 pin	80500525
Cavo RS232, IBM 25 pin	80500524
Kit determinazione densità solo per bilance 0.1/1mg	470007-010
Dispositivo antifurto	76288-01
Masse di regolazione	Contattare Ohaus Italia

Codice Ohaus

Qualità Ohaus

Tutte le bilance Ohaus Adventurer™ Pro sono prodotte in regime di Qualità certificato ISO 9001:2000. La struttura robusta e severi controlli di qualità sono le caratteristiche di tutti i prodotti Ohaus da quasi un secolo.

Ohaus Italia

Via Vialba,42
20026 Novate Milanese (MI)
Tel.: +39 02-33 3321
Fax: +39 02-3562 973
e-mail: ItalySales@Ohaus.com

Ohaus Europe GmbH

Im Langacher
CH-8606 Greifensee
Switzerland
Tel.: +41-44-944 33 66
Fax: +41-44-944 3230
e-mail: EuropeSales@Ohaus.com

Ohaus Corporation

* 19 Chapin Road
Pine Brook, NJ 07058 USA
Tel.: +1-973-377-9000
Fax: +1-973-593-0359
e-mail: OhausHQ@Ohaus.com

Con uffici in Messico, Svizzera, Francia,
Inghilterra, Germania, Spagna, Russia,
Polonia, Giappone, Corea e Cina

* ISO 9001:2000

Registered Quality Management System

Indirizzo Internet: www.ohaus.com



Adventurer™ Pro

Balanzas Analíticas y de Precisión



Ohaus Adventurer™ Pro – Las balanzas más completas de su segmento!

Desde su introducción, las Ohaus Adventurer™ Pro se han afianzado en la industria como las más versátiles. Cuentan, suman, memorizan y ofrecen resultados fiables. Ahora estamos llevando la versatilidad a otro nivel ampliando la línea Adventurer Pro y añadiendo nuevos modelos Analíticos y de Alta Precisión. Ninguna otra balanza de su clase incluye todas estas prestaciones en un diseño compacto:

- **Fácil Acceso, Cabina corta-aíres con puertas desmontables** – todas las puertas, incluidos los paneles de cristal frontal y trasero, se desmontan en segundos, y juntamente con un fondo de acero inoxidable, hacen que la limpieza sea fácil y rápida.
- **SmarText™ Software Guía para los usuarios** – SmarText™ ayuda a usar el software de la balanza mediante textos en el display que guían al usuario al navegar por los menús de configuración o de trabajo.
- **QuadraStance™ Diseño que ofrece una mayor estabilidad** – para mejorar la estabilidad de la pesada, QuadraStance incorpora cuatro patas regulables para una correcta ubicación en cualquier superficie.
- **Flexibilidad de las opciones disponibles** – asegura la exactitud de la pesada con la Calibración Interna InCal™. Un interface de serie RS232, una salida USB ó segunda RS232 opcionales, permiten su conexión a múltiples periféricos.

Balanzas Adventurer Pro

La cabina corta-aíres con puertas desmontables ofrece un cómodo acceso



Los usuarios frustrados por tener que moverse por espacios estrechos valorarán la cómoda cámara de pesada de las *Adventurer Pro*. El corta-aíres se ha diseñado sin usar guías superiores, de modo que no encuentran obstáculos a la hora de poner o sacar objetos para ser pesados. Con un acceso libre de barreras, la posibilidad de vertidos accidentales se reduce y facilita la limpieza.

La contaminación puede ser un problema en los entornos actuales de trabajo. Todas las puertas, incluidos los paneles frontal y trasero son fáciles de quitar y sustituir para una fácil y rápida limpieza. En caso de rotura, con tres simples pasos, cada puerta o panel de recambio pueden sustituirse en segundos



El software SmarText™ permite el entendimiento hombre/máquina

El Smar Text™ de Ohaus' es un software para facilitar el uso de la balanza con textos en la pantalla para guiar al usuario en las aplicaciones y configuración. A través del display LCD retroiluminado y de unas teclas claramente definidas SmarText le informa de lo que está haciendo y de lo que tiene que hacer a continuación.



Utilizando el display LCD de 2 líneas, SmarText muestra simultáneamente peso y la aplicación específica como porcentaje ó recuento. Por ejemplo, con una pulsación en la tecla de función, SmarText le mostrará información de la aplicación en uso como el valor del peso medio de las piezas (APW), cuando esté trabajando en modo recuento.

QuadraStance™ Diseño para una Estabilidad Superior

QuadraStance incorpora cuatro patas ajustables para conseguir una mejor estabilidad en cualquier superficie. QuadraStance ayuda a prever oscilaciones o inclinaciones, aumentando la estabilidad de la balanza, y manteniendo la Adventurer Pro bien ajustada y nivelada. Adicionalmente, Adventurer Pro dispone de una indicación de nivel frontal eliminando así la necesidad de buscar tras la balanza durante el proceso de nivelación. Una rápida ojeada al indicador de nivel frontal ayuda a asegurarnos de que la balanza esté siempre bien nivelada.



Flexibilidad añadida de las opciones disponibles.

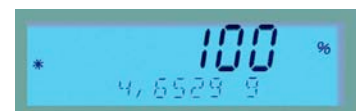
Adventurer Pro ahora también ofrece Calibración Interna InCal™. InCal asegura la fiabilidad permitiéndole calibrar la balanza antes de cada utilización sin necesidad de usar pesas externas. Todos los modelos Adventurer Pro vienen con una interface RS-232, opcionalmente se pueden equipar con una segunda salida RS-232 ó USB permitiendo conexiones a multiples equipos periféricos. Con la capacidad de emitir protocolos GLP/GMP, Adventurer Pro puede alcanzar la trazabilidad requerida en los distintos procedimientos donde es necesario disponer de información auditable.



Otras prestaciones estandard:

Múltiples modos de Aplicación que incluyen:

- Modo de Pesada de Animales – Esta función permite al usuario pesar animales u otras muestras en movimiento a fin de conseguir una lectura de resultados estable.
- Recuento de Piezas con auto-optimización – Esta función permite contar piezas en base a una referencia de peso. Con la optimización, se actualiza y mejora la exactitud del conteo mediante un recálculo del peso medio de las piezas.
- Modo Porcentaje – Permite al usuario ver en el display de la balanza un peso de referencia convertido en porcentaje.
- Modo Checkweighing – Esta función permite realizar un control del peso de una muestra previamente entrado como objetivo.
- Modo Totalización – Permite obtener la suma de los pesos de una serie de muestras.
- Modo Display Hold – Esta función permite congelar en el display el valor de peso más alto hasta que lo borremos



Ajustes a su entorno seleccionables

- Tres tipos de filtros y un seguimiento del cero son ideales para trabajar en aplicaciones delicadas de llenado donde la sensibilidad es importante. Cuando se trabaja en entornos duros, es posible ajustar la balanza para compensar las vibraciones u otras perturbaciones.

Funda de protección incluida

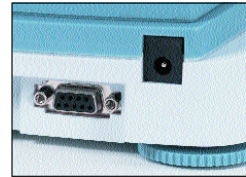
La funda de uso es reemplazable y ofrece protección contra polvo ó suciedad, minimizando la posibilidad de averia del display y de las teclas de operación.

Balanzas Adventurer Pro

Prestaciones: Adventurer Pro - es la Balanza más completa de su segmento

Conectividad

Adventurer Pro se entrega con un interface RS232. Un segundo interface RS232 ó USB se pueden pedir como opción instalados en fca.



Fácil de Limpiar

El plato de acero inoxidable y su protector se pueden sacar fácilmente para una limpieza rápida y efectiva

Seguridad

Para preveer posibles movimientos ó robos, una abrazadera de seguridad integrada facilita la fijación de

la balanza a un lugar seguro mediante el accesorio.

Claro display de fácil lectura

Adventurer Pro dispone de un display LCD alfanumérico de 2 líneas con brillante retroiluminación. Los modelos portátiles incluyen una función de auto-desconexión de la retroiluminación para ahorrar pilas.

Alimentador AC i/o a pilas

Algunos modelos son portátiles y pueden trabajar o bien con el adaptador AC incluido ó con 4 pilas alcalinas. Una función auto desconexión alarga la vida de las pilas



Teclado de fácil uso

las cuatro teclas de función del teclado YES, NO, BACK y EXIT simplifican la navegación por los menús y la configuración de la balanza

Multiples Unidades de pesada

Las distintas unidades de pesada incluyen una unidad definible por el usuario a fin de utilizarla para cálculos en aplicaciones especiales

Gancho para pesar por debajo

Las Adventurer Pro disponen de un gancho que permite la determinación de densidades ó el cálculo de pesos específicos de muestras



Especificaciones Generales

Unidades de pesada*	Miligramo, Gramo, Kilogramo, Onzas, Libras, Quilates, Pennyweight, Onza Troy, Grain, Newton, Hong Kong Tael, Singapore Tael, Taiwan Tael, Momme, Tical, Baht, Mesghal, Tola, Custom
Modos de aplicacion	Pesada, pesada Dinamica/Animales, Recuento de Piezas con auto-optimización, Pesada en Porcentajes, Control +/-, Totalización, Display Hold
Rango de tarar	capacidad total por sustraccion
Temperatura de Trabajo	de 10° a 30°C
Calibración	Digital con pesa externa (modelos sin "C") Digital con pesa interna (modelos "C" con opción InCal)
Tipo de display	Alfanumérico LCD Retroiluminado de 2-Lineas
Dimensiones display (cm)	10 x 2.5

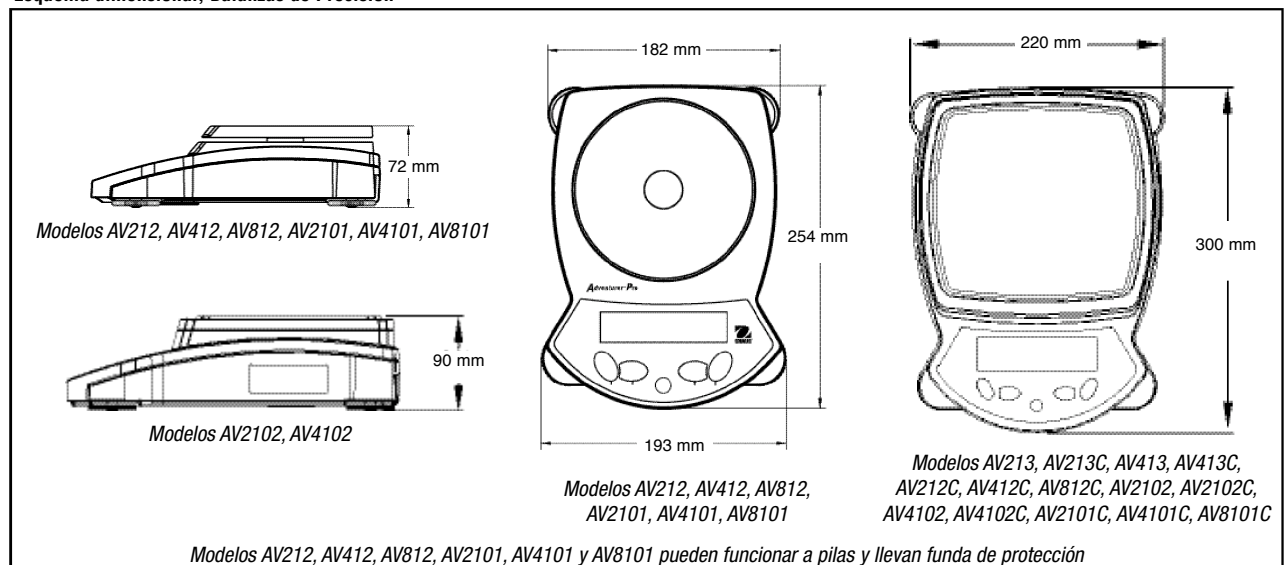
* Unidad Milligramo solo disponible en modelos de 0.1mg a 1mg
Unidades Kilogramo y Libra solo disponibles en modelos de 0.01g a 0.1g

Especificaciones técnicas, Balanzas de Precisión

Alcance (g)	210	410	210	410	810	2100	4100	2100	4100	8100
Escalón (g)	0.001		0.01			0.1				
Repetibilidad (Std. dev.) (g)	0.001		0.01			0.1				
Linealidad (g)	± 0.002		± 0.02			± 0.2				
Tiempo estabilización. (segs)	3		1.5*	3			2*			
Aliment. eléctrica con InCal	Adaptador AC (Incluido)									
Aliment. eléctrica sin InCal	Adaptador AC (Incluido)		Adaptador AC (Incluido) ó 4 pilas AAA (No Incluidas)			Adaptador AC (Incluido)		Adaptador AC (Incluido) ó 4 pilas AAA (No Incluidas)		
Tipo de corta-aíres	Cuadrado:		NO incluye							
Altura sobre el plato (cm)	11,5									
Dims. plato con InCal (cm)	12 dia.			16.8 x 18						
Dims. plato sin InCal (cm)	12 dia.			14.9 x 16.2		16.8 x 18		14.9 x 16.2		
Dims balanza con InCal Ancho x Alto x Fondo (cm)	22 x 19 x 30		22 x 8.5 x 30							
Dims. balanza sin InCal Ancho x Alto x Fondo (cm)	22 x 19 x 30		19.3 x 7.2 x 25.4			22 x 8.5 x 30		19.3 x 7.2 x 25.4		
Dims. de envío con InCal Ancho x Alto x Fondo (cm)	39 x 41 x 50		39 x 33 x 50							
Dims. de envío sin InCal Ancho x Alto x Fondo (cm)	39 x 41 x 50		27.6 x 16 x 38.5			39 x 33 x 50		27.6 x 16 x 38.5		
Peso Neto con InCal (kg)	3.7		2.6	3.4	3.2		3.5			
Peso Neto sin InCal (kg)	3.3		1.2	1.5	2.8		1.6			
Peso de envío con InCal (kg)	6.6		5.4	6.2	6.1		6.3			
Peso de envío sin InCal (kg)	6.2		2.2	2.4	5.7		2.5			
Modelos con InCal Calibración interna	AV213C	AV413C	AV212C	AV412C	AV812C	AV2102C	AV4102C	AV2101C	AV4101C	AV8101C
Modelos sin InCal Calibración Interna	AV213	AV413	AV212	AV412	AV812	AV2102	AV4102	AV2101	AV4101	AV8101

*Nota: Los Modelos AV212C, AV2101C, AV4101C y AV8101C tienen un tiempo de estabilización de 3 segundos

Esquema dimensional, Balanzas de Precision

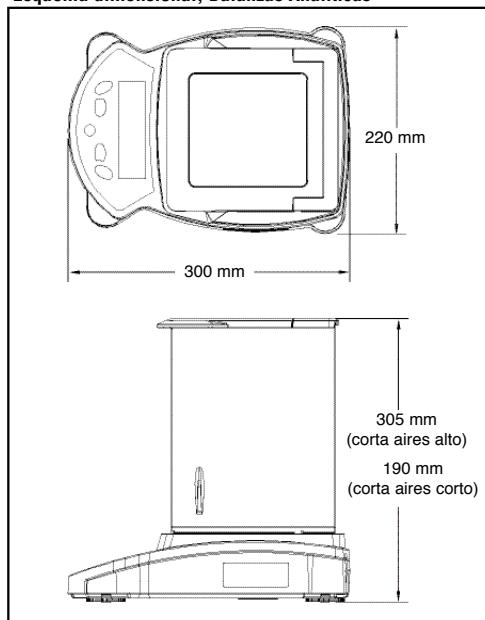


Balanzas Adventurer Pro

Especificaciones Técnicas, Balanzas Analíticas

Alcance (g)	110	260
Escalón (mg)	0.1	
Repetibilidad (Std. dev.) (mg)	0.1	
Linealidad (mg)	± 0.2	± 0.3
Tiempo de estabilización (segs.)	3	
Alimentación eléctrica	Adaptador AC (Incluido)	
Tipo de Corta-aíres y altura sobre el platillo (cm)	Cuadrado: 22	
Tamaño del platillo (cm)	9 dia.	
Dimensiones de la balanza Ancho x Alto x Fondo (cm)	22 x 30.5 x 30	
Dimensiones de envío Ancho x Alto x Fondo (cm)	39 x 52.5 x 50	
Peso Neto con InCal (kg)	4.4	
Peso Neto sin InCal (kg)	4	
Peso de envío con InCal (kg)	7.4	
Peso de envío sin InCal (kg)	7	
Modelos con InCal Calibración Interna	AV114C	AV264C
Modelos sin InCal Calibración Interna	AV114	AV264

Esquema dimensional, Balanzas Analíticas



Otras características y prestaciones

Indicador de estabilidad, protección de sobrecargas mecánica y por software, indicación de pilas bajas, adaptador AC, varios puntos de calibración seleccionables, auto tara, varias opciones de imprimir, ajustes de comunicación seleccionables, funciones GLP/GMP configurables, reset y bloqueo de los menús,

Aprobaciones

CE, FCC, CUL-US, CSA-US, NRTL

C Tick

CB Scheme

IP33 (sin adaptador AC; con el platillo puesto)

IP20 (con adaptador AC, con el platillo puesto)

Opciones y Accesorios

Opciones y Accesorios	Referencia
Interface USB.....	Contacte con Ohaus para Detalles
2ª RS232	Contacte con Ohaus para Detalles
Impresora de 42 columnas	SF42
RS232 cable, SF42 a impresora	21253677
SF42 papel (pack de 5rollos)	00072456
SF42 cinta tinta	00065975
RS232 cable, IBM 9 pin	12106964
RS232 cable, IBM 25 pin	80850014
Kit determ. Densidades (balanzas de 0.1/1mg)	80850045
Dispositivo de seguridad	80850000
Pesas de Calibración	Contacte con Ohaus para detalles

Calidad y apoyo de una industria leader

Todas las balanzas Adventure[™] Pro están fabricadas conforme a las normas ISO 9001:2000 Quality Management System. Nuestra robusta construcción junto a un exigente control de calidad han constituido nuestro sello de distinción desde hace casi un siglo.

Ohaus

C/. Miguel Hernández, 69-71
08908 l'Hospitalet de Llobregat
Barcelona - Spain
Tel.: +34 93 223 76 06
Fax: +34 93 223 76 01
e-mail: SpainSales@Ohaus.com

Ohaus Europe GmbH

Im Langacher
CH-8606 Greifensee
Switzerland
Tel.: +41-44-944 33 66
Fax: +41-44-944 3230
e-mail: EuropeSales@Ohaus.com

Ohaus Corporation

*19 Chapin Road
Pine Brook, NJ 07058 USA
Tel.: +1-973-377-9000
Fax: +1-973-593-0359
e-mail: OhausHQ@Ohaus.com

Con oficinas en Mexico, Suiza, Francia,
Gran Bretaña, Alemania, España, Italia,
Polonia, Rusia, Japón, Corea y China

* ISO 9001

Ohaus Corporation es una compañía
con certificado de calidad ISO 9001

Internet Address: www.ohaus.com