



Completely re-imagined from the ground up, the OHAUS Explorer® rises to a whole new level – a product so extraordinary, it's like nothing you've seen before!

The OHAUS Explorer features SmarText™ 2.0, our user-friendly application-based graphical software platform in concert with a redesigned antistatic draftshield, enhanced weighing performance, and a flexible modular display that detaches from the weighing base. Ingeniously striking a balance between cutting-edge technology and functional design, the Explorer delivers accurate performance, that will improve your efficiency in the lab.

Features Include:

- **Intelligent Performance** – All Explorers have newly optimized linearity and repeatability specifications and enhanced vibration filtering for better balance stability. All models also come standard with AutoCal™ automatic internal calibration. These combined enhancements improve accuracy, efficiency, and throughput.
- **Intuitive Operation** – A large color touch-screen display, icon-driven application software that features 14 unique application modes, and an adjustable angle display make Explorer the easiest to use, most advanced balance in its class today.
- **Ingenious Design** – The base and terminal separate for maximum flexibility in any work area. The design also isolates the weighing chamber to enhance stability and speed results. Draftshield models feature an oversized chamber with a new quick remove design, enhanced with a unique anti static system.
- **Practical Features** – Explorer has four user-programmable touch free sensors to minimize cross contamination and button wear. All Explorers meet or exceed the Class I and II accuracy requirements in accordance with the National Institute of Standards and Technology (NIST) Handbook 44 (approval pending).

Explorer[®] Analytical and Precision Balances

Intelligent PERFORMANCE

Explorer delivers accurate results within seconds, improving operator efficiency, productivity and throughput, with a stabilization time up to 50% faster.

- **Fast stabilization time**
 - Improves operational efficiency
 - Increases throughput
 - Improves productivity
- **Optimized linearity and repeatability specifications**
 - Provides accurate and repeatable results
- **Optimized vibration filtering**
 - Provides balance stability in unstable environments



Intuitive SOFTWARE

SmarText™ 2.0 is OHAUS' easy-to-use graphical software featuring 14 applications, QWERTY / numeric keypads, and below-minimum weight indication.

- **Color VGA display with icons for simple menu navigation**
 - High resolution, 5.7 in (145 mm) color TFT display reproduces highly readable operating software
 - Resistive touch screen display quickly responds to operator's touch or stylus
- **14 built-in applications with customization capabilities to meet the varying needs in laboratory and industrial settings**
- **Minimum Weight capability with visual warning feature**
- **QWERTY keyboard and numeric keypad to quickly input GLP and GMP data and other application data**
- **User Manager with administrator capability**
- **Library function to store and recall customized applications**
- **Alternate RS232 command feature adapts the balance to existing data acquisition software**
- **External input for zero, tare or print operations via the external foot switch accessory**
- **Audible and visual feedback for button presses as well as the indication of the check weighing status**



Ingenious DRAFTSHIELD

Explorer's draftshield provides ample access and visibility to the weighing chamber and features antistatic coated glass.

- **Frameless, flip-top design provides unobstructed access to the weighing chamber**
- **The expansive side entry 6.3 x 9.4 in (160 mm x 240 mm) allows you to freely place and remove large weigh boats or other large vessels in the weighing chamber**
- **Antistatic coated glass helps dissipate static charges in the weighing chamber which could adversely affect the weighing results**
- **Side doors seamlessly glide on top-mounted bearings helping to prevent any potential bind up when balance is left uncleaned**
- **Easy to install and remove glass panels and a stainless steel bottom make Explorer extremely easy to clean**
- **A draftshield chamber light is available when the balance is used in low lighting environments**



Practical TOUCHLESS SENSORS

Explorer features four touchless sensors for hands-free operation of print, calibration, tare, and other selectable functions

- **Hands-free operation**
 - Improves weighing efficiency
 - Eliminates sample residue transfer
 - Minimizes contamination
- **Two sensors on the base and two on the display can be set up individually to allow for remote operations**

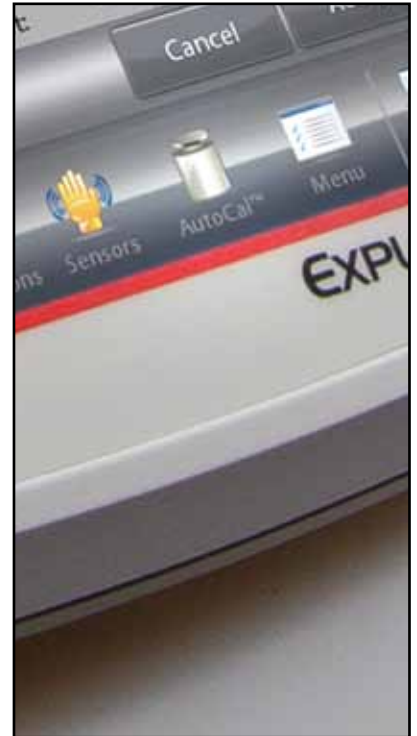
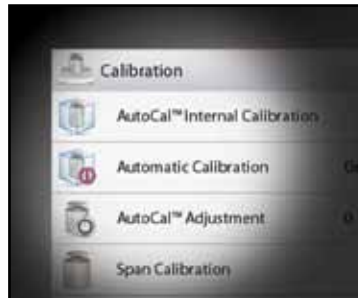


Explorer[®] Analytical and Precision Balances

Intelligent CALIBRATION

AutoCal™ ensures performance and assists with routine maintenance by automatically calibrating the balance daily.

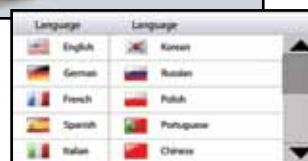
- Fully-automatic internal calibration system
- No need for external masses
- Eliminates cost to maintain external weights
- Self-calibrates the system when it senses a temperature change sufficient enough to affect weighing accuracy, or every 11 hours
- AutoCal feature can be disabled for traditional external calibration



Intuitive USER SETUP

Explorer is the industry's most easy-to-use balance, featuring leveling assistance and instructional messaging for quick out-of-the-box setup and use.

- Easy to view illuminated level indicator placed at the front of the balance
- Adjustable thumbwheels are easy to turn to level the balance
- Level assist screen helps users quickly identify which thumbwheels need to be adjusted to level the balance
- Data Transfer Function helps to output data directly into Microsoft Excel
- Instructional messaging during application use guides users through the weighing process
- User information menu allows users quickly view and learn more about the available balances features
- Up to 11 operating languages make Explorer's Intuitive User Setup truly universal



Ingenious MODULAR DESIGN

Explorer's modular design features a color touch display that can be separated from the weighing base

- **Display features:**

- Angular adjustment to optimize viewing
- Easy access communication ports including standard USB and RS232 and an optional third port of either RS232 or Ethernet
- Left and right side cable exit feature for customized installation capability
- Tower and wall mount ready for modular installation
- In-use cover for protection against rugged use
- Extension cable accessory extends remote use up to 10 feet



- **Base features:**

- Quadrastance™ design with four low resistance adjustable thumbwheels make the balance easy to level and provide superior stability
- Robust die-cast metal bottom housing
- Accessory tower mount ready for modular installation
- Cable storage system



Practical APPROVALS*

Explorer is designed and engineered to meet stringent NTEP requirements for use in legal applications such as pharmacies, jewelry stores and retail outlets

The Explorer has been designed to meet or exceed the Class I and II accuracy requirements in accordance with the National Institute of Standards and Technology (NIST) Handbook 44.

In addition to being designed to meet or exceed the Class I and II accuracy requirements for a prescription balance, the Explorer will also be approved for Counting for Prescription Filling. Explorer will make it easy to comply with the regulations requiring that an approved balance to be installed in every operating pharmacy.



*Approval pending

Explorer[®] Analytical and Precision Balances

Applications

The OHAUS Explorer's advanced applications simplify even the most complex laboratory measurements. Whether it's determining the difference between initial and residual weights or calculating the density of solids and liquids, Explorer eliminates the need for time consuming manual calculations and data logging. The high resolution display and innovative user interface make balance setup and application use effortless.



Standard Apps Include:



Weighing

Determine the weight of items in the selected unit of measure. Minimum Weight feature is also available.



Percent Weighing

Measure the weight of a sample displayed as a percentage of a pre-established Reference Weight.



Dynamic Weighing

Weigh an unstable load. Balance takes an average of weights over a time period.



Totalization

Measure cumulative weight of multiple items. Cumulative total may exceed Balance capacity.



Differential Weighing

Store sample weights and calculate the difference between initial weights and final weights.



Peak Hold

Capture and store highest weight in a series. Both stable and unstable weights are captured.



Parts Counting

Count samples of uniform weight. Choose Standard Counting, Check Counting, or Fill Counting.



Pipette Adjustment

Check pipette values by weight analysis, with built-in water density table.



Check Weighing

Compare the weight of a sample against target limits. Choose from Standard, Nominal-weight, or Nominal-Percent.



Filling

Fill a container to a target weight. Progress bar displays filling status.



Formulation

For compounding and recipe making. The number of components can be from two to 99.



Density Determination

Determine density of solids more dense than water, liquids, or porous material.



Ingredient Costing

Determine cost of formula or recipe based on known cost/quantity of components or ingredients.



SQC

Monitor and/or control processes to eliminate under and over filling.

Other Standard Features & Equipment

Menu lock switch, security bracket, integral weigh below hook for below balance weighing applications, removable stainless steel weighing platform, stability indicator, overload and underload indicators, auto standby, powered by an ENERGY STAR® qualified adapter for a better environment.

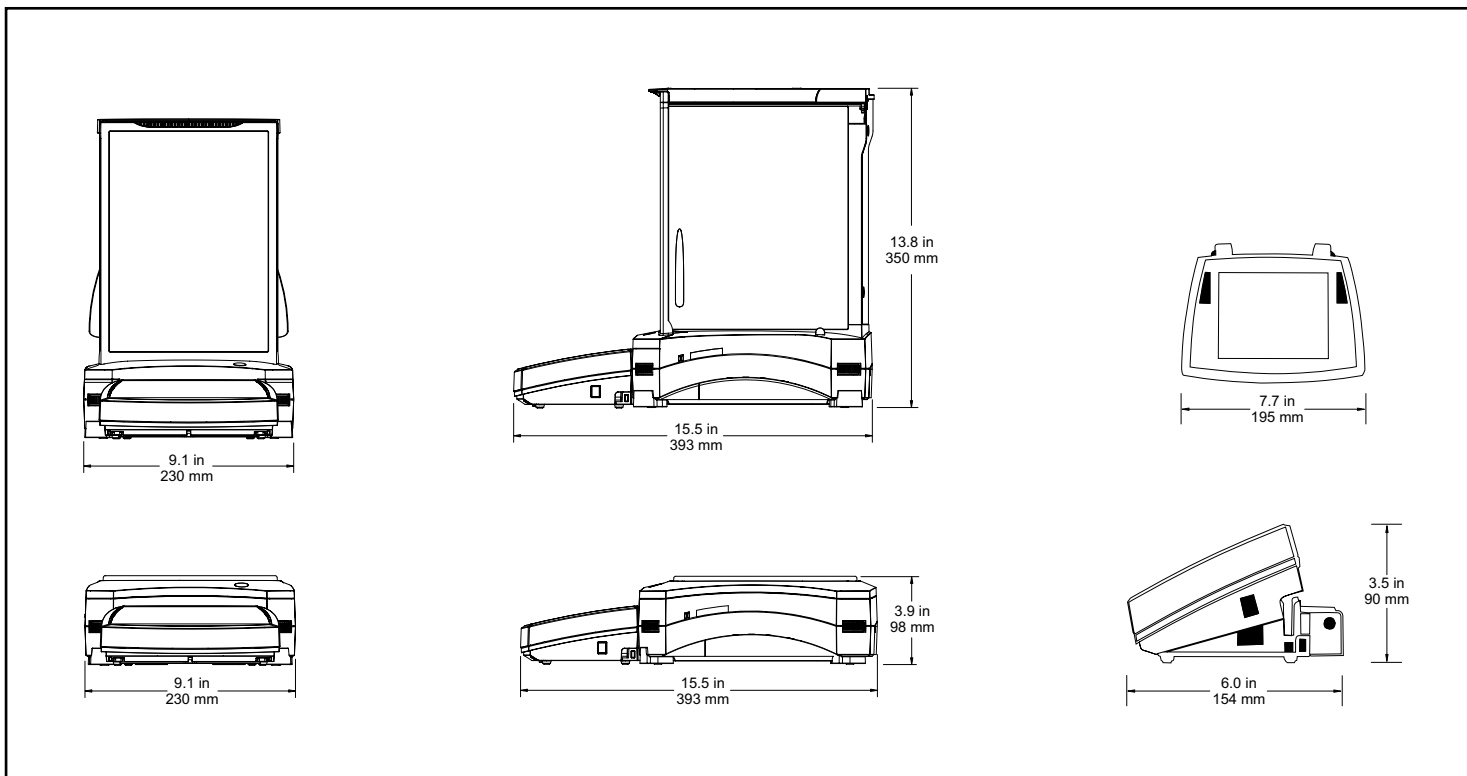
Accessories

| | OHAUS Number |
|---|---------------------|
| Tower Mount for Display | 83021102 |
| Display Extension Cable | 83021083 |
| Density Determination Kit | 80253384 |
| Draftshield Kit (0.01g and 0.1g balances) | 83021084 |
| Security Device | 470004-010 |
| Interface Cable, USB (Type A to B) | 83021085 |
| Second RS232 Kit | 83021081 |
| Ethernet Kit | 83021082 |
| Foot Switch Kit | 83021086 |
| Compact Thermal Printer | 80251992 |
| Compact Dot Matrix Impact Printer | 80252042 |
| RS232 Cable & Adapter to 80252042 Printer | 80252571 |
| RS232 Cable & Adapter to 80251992 Printer | 80252581 |
| RS232 Cable, PC 25 Pin..... | 80500524 |
| RS232 Cable, PC 9 Pin..... | 80500525 |



Optional Tower Mount

Outline Dimensions



Explorer® Analytical and Precision Balances

Specifications

| Model | EX124 | EX224 | EX324 | EX223 | EX423 | EX623 | EX1103 | EX2202 | EX4202 | EX6202 | EX10202 | EX6201 | EX10201 |
|--|---|-------|-------|-------------------|-------|-------|---|-----------------------------|--------|------------------|---------|--------|---------|
| Capacity (g) | 120 | 220 | 320 | 220 | 420 | 620 | 1100 | 2200 | 4200 | 6200 | 10200 | 6200 | 10200 |
| Readability (g) | 0.0001 | | | 0.001 | | | 0.01 | | | 0.1 | | | |
| Repeatability std (g) | ±0.0001 | | | ±0.001 | | | ±0.01 | | | ±0.1 | | | |
| Linearity (g) | ±0.0002 | | | ±0.002 | | | ±0.02 | | | ±0.1 | | | |
| Stabilization Time (sec) | ≤2 | ≤3 | ≤1.5 | | | | ≤1 | | | | | | |
| Weighing Applications | Weighing, Percent Weighing, Parts Counting, Check Weighing, Dynamic/Animal Weighing, Filling, Totalization, Formulation, Differential Weighing, Density Determination, Peak Hold, Ingredient Costing, Pipette Adjustment, SQC | | | | | | | | | | | | |
| Weighing Units | Gram, Milligram, Kilogram, Carat, Ounce, Ounce Troy, Pound, Pennyweight, Grain, Newton, Momme, Mesghal, Hong Kong Tael, Singapore Tael, Taiwan Tael, Tical, Tola, Baht, 3 Custom Units | | | | | | | | | | | | |
| Calibration | AutoCal™ on Δ1.5°C temperature change, 11 hours, and external calibration | | | | | | | | | | | | |
| Tare Range | To capacity by subtraction | | | | | | | | | | | | |
| Power Requirements | AC Adapter Input: 100-240 VAC 0.6A 50-60 Hz | | | | | | | | | | | | |
| Display Type | Full-color VGA graphic display, 4-wire resistive touch screen | | | | | | | | | | | | |
| Display Size | 5.7 in / 145 mm (diagonal) | | | | | | | | | | | | |
| Display Housing Dimensions (W x H x D) | 7.7 x 3.5 x 6.0 in / 195 x 90 x 154 mm | | | | | | | | | | | | |
| Base Housing Dimensions (W x H x D) | 9.1 x 13.8 x 15.5 in / 230 x 350 x 393 mm | | | | | | 9.1 x 3.9 x 15.5 in / 230 x 98 x 393 mm | | | | | | |
| Communication | RS232, USB | | | | | | | | | | | | |
| Operating Temperature Range | 50°F (10°C) to 86°F (30°C) | | | | | | | | | | | | |
| Operating Humidity Range | 15% to 80% at 87.8°F (31°C) decreasing linearly to 50% at 40°C, non-condensing | | | | | | | | | | | | |
| Storage Conditions | -14°F (-10°C) to 140°F (60°C) at 10% to 90% relative humidity, non-condensing | | | | | | | | | | | | |
| Pan Size | Ø 3.5 in / 90 mm | | | Ø 5.1 in / 130 mm | | | | 7.5 x 7.9 in / 190 x 200 mm | | | | | |
| Net Weight | 15.2 lb / 6.9 kg | | | | | | 9.5 lb / 4.3 kg | | | 11 lb / 5 kg | | | |
| Shipping Weight | 21.1 lb / 9.6 kg | | | | | | 15 lb / 6.8 kg | | | 16.3 lb / 7.4 kg | | | |
| Shipping Dimensions | 21 x 15 x 21 in / 55 x 38.5 x 55.1 cm | | | | | | 21 x 15 x 12 in / 55 x 38.5 x 29.1 cm | | | | | | |

Compliance

- This product conforms to the EMC Directive 2004/108/EC, the Low Voltage Directive 2006/95/EC and the Non-automatic Weighing Instruments Directive 2009/23/EC. The complete Declaration of Conformity is available online at www.ohaus.com.
- This equipment has been tested and found to comply with the limits for a Class A digital device, pursuant to Part 15 of the FCC Rules.
- Quality:** All OHAUS Explorer® balances are manufactured under an ISO 9001:2008 Registered Quality Management System. Our rugged construction and stringent quality control have been hallmarks of all OHAUS products for over a century.

OHAUS CORPORATION
 * 7 Campus Drive
 Suite 310
 Parsippany, NJ 07054 USA
 Tel: 800.672.7722
 973.377.9000
 Fax: 973.944.7177
www.ohaus.com

*With offices throughout Europe,
 Asia, and Latin America*

*** ISO 9001**
 Registered Quality Management System

80774680_B © Copyright Ohaus Corporation

